

FORCE 起力
S T R A P

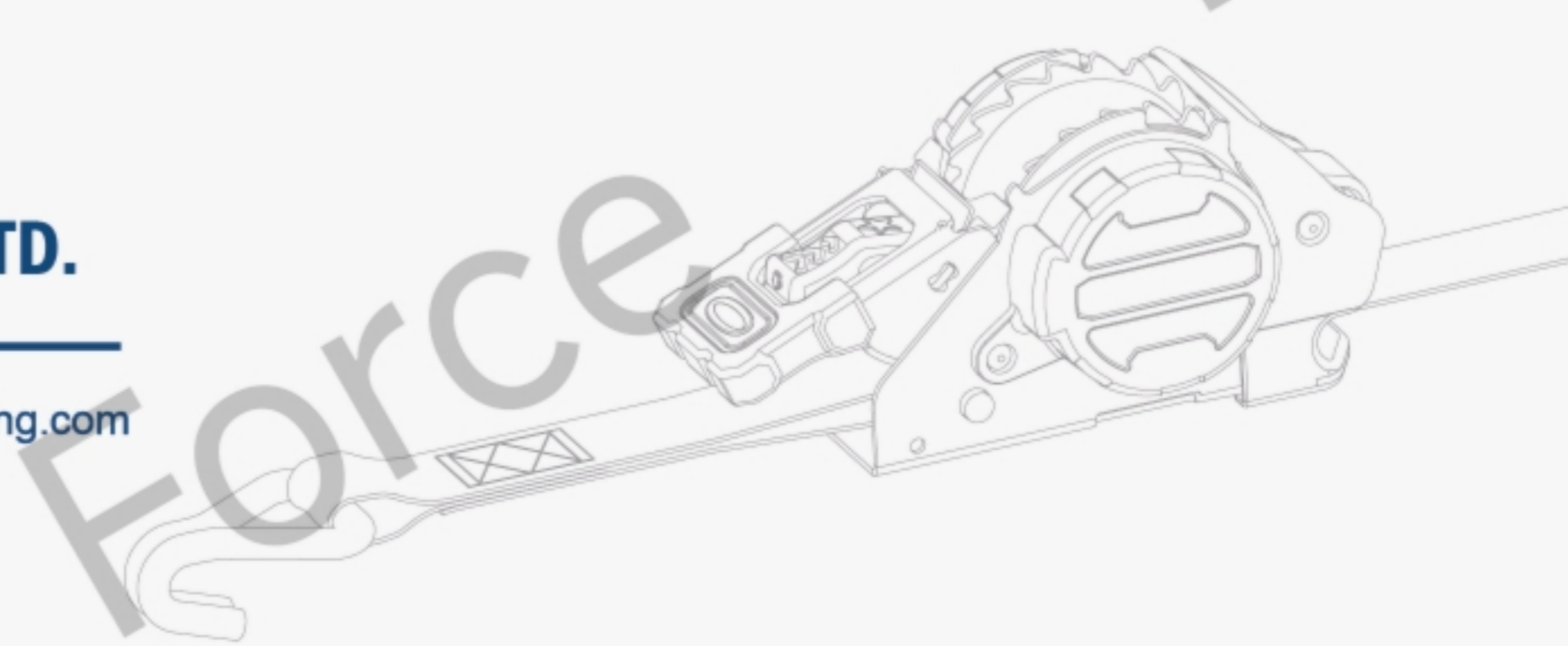


**POWER IN
STRENGTH
COMMITMENT
TO SAFETY**

**FORCE GROUP
SINCE 2008**

NINGBO FORCE AUTO PARTS CO., LTD.

• E-mail: joe@forcerigging.com • Web: www.forcerigging.com



01

RATCHET STRAPS 01

50mm Auto Retractable Ratchet Tie Down Strap 02

25mm Auto Retractable Ratchet Tie Down Strap 03

European Market

25mm Mini Cargo Lashing Belt 04

27mm Customizable Durable Ratchet Binding Strap 05

38mm High Quality Cargo Lashing Strap 06

38mm Finger Handle Ratchet Strap for Cargo Control 07

50mm Heavy Duty Ratchet Strap 08

American Market

50mm Standard Ratchet Tie Down Load Strap 09

50mm Polyester Ratchet Buckle Strap 10

50mm Truck Ratchet Tie Down Strap 11

75mm Customizable Durable Ratchet Binding Strap 12

Winch Strap Cargo Securement Belt 13

Australia Market

50mm Customized High Quality Cargo Lashing Ropes 14



02

TIE DOWN ACCESSORIES 15

Ratchet Buckle 16-20

Cam Buckle 21

Wire Hook 22-24

Flat Hook 25

Snap Hook 26

Ring 27-28



03

PRODUCT SET SERIES 29

Set product 30-31




CONTENTS


04

ENCLOSED TRAILER 32


Etrack Systems & Attachment 33

Track Fittings 34-36 

Recessed Pan Fitting 37

Cargo Restraint Track 38 

Series E Beams 39


Series F Bars 40 

Wood Beam Socket 40

05

FLATBED TRAILER 41


Chain / Chain Binder 42

Chain Anchor 42-44 

Flatbed Trailer Series 45

Corner Protector 46-47

Truck Winch 48-49

Lashing Winch 50 


Flat Tarps 51-52

06

LIFTING SLINGS 53

Flat Webbing Sling 54-55 

Round Sling 56-59

Goat Horn Hook 60-61 

Shackle 62

Turnbuckle 63

Lifting Spreader Beam 64



FORCE GROUP ▶▶▶

From 2008 to 2025, Ningbo Force Auto Parts Co., Ltd. has achieved leapfrog development – evolving from 1,000 m² startup facility to 30,000 m² modern production base.

We offer a diverse portfolio of high-performance products, covering Tie Down Straps, Track Systems (including E-Track Systems and L-Track Systems), Hardware, Lifting Slings, Chain and Binders, Tarps, Corner Protectors, and other efficient logistics solutions. Our products are widely used in transportation, agriculture, industry, manufacturing, construction, energy (hydro/wind power), steel, shipbuilding, and civil applications.

Our products hold internationally recognized certifications, including CE, S-mark, TUV, and GS, and comply with the ISO 9001:2015 Quality Management System and BSCI Social Responsibility certification. As a member of the WSTDA Association, Ningbo Force is committed to advancing technical exchange and collaborative development within the industry.



30000m²

Factory Area



17+

Years Of Experience



6

R&D Team



12 million

Annual Production

PARTNER



We prioritize maintaining innovation and achieving breakthroughs, pushing boundaries in competition. Our R&D team continuously advances product development and process enhancements to deliver greater value for our customers. Currently, our company maintain a stable business presence across major global markets: Europe accounts for 40% of the business, North America 30%, South America 15%, while Japan-Korea and the Middle East collectively represent 15%.



The factory is equipped with advanced production facilities and specialized departments that oversee each critical manufacturing process. From raw material weaving, dyeing treatment, and printing to precision cutting, stitching, and finished product packaging, every production stage strictly adheres to international quality standards. Through digital quality control systems and rigorous testing protocols, we comprehensively validate product quality. Leveraging our production scale and the expertise of our technicians, we deliver a stable annual output of 12 million pieces, ensuring faster lead times than our industry competitors.



As a specialized supplier of logistics equipment, Ningbo Force is committed to advancing technological breakthroughs within our vertical domain, delivering safe and eco-conscious solutions for the global supply chain. We invite you to join us on this transformative journey.



Force

WORKSHOP SHOWCASE



The company has always adhered to the philosophy of "Quality First, Competitive Pricing, Prompt Delivery, and Sincere and Efficient Service." It continuously optimizes its products and services, winning the trust of customers. In the future, the company will remain committed to its original mission, continuously drive innovation, and reciprocate customers with even better products and services. By doing so, it will contribute to the development of the industry and further strengthen and expand its presence in overseas markets.



OEM&ODM



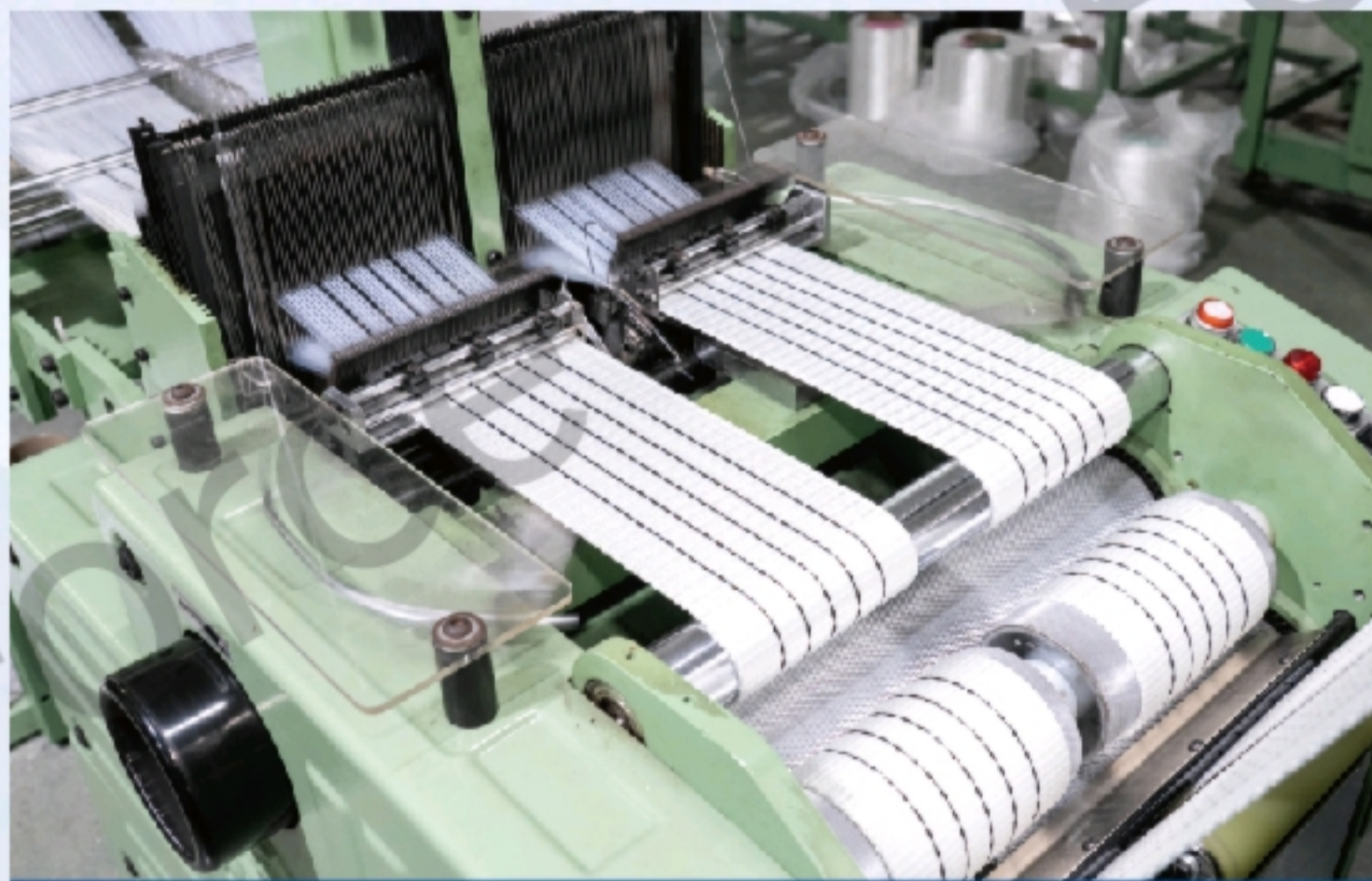
DIVERSE TYPES



QUALITY



TIMELY DELIVERY



ON PROCESS



WEBBING DYEING



IMPACT EXTRUSION



SEWING



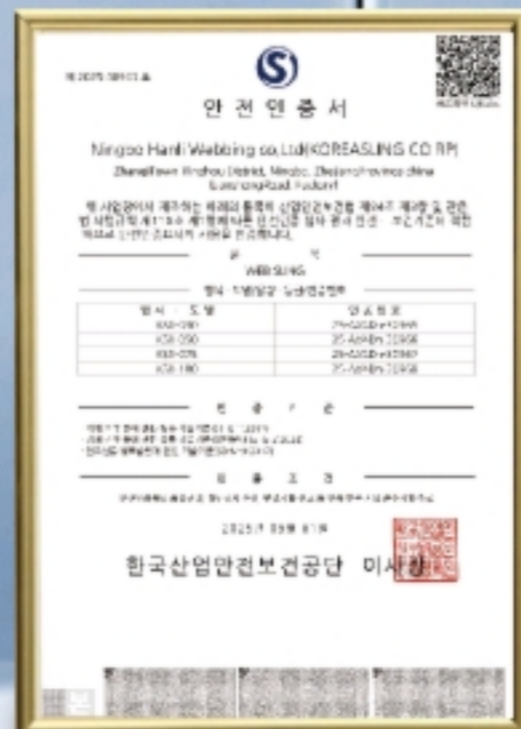
RESEARCH AND SEVELPMENT



PACKAGING

QUALITY ASSURANCE IS TRUSTWORTHY

CERTIFICATE



RATCHET STRAPS

50mm Auto Retractable Ratchet Tie Down Strap

- ◆ Heavy-duty vinyl coated S-hook with keeper.
- ◆ Eco-friendly water-based printing on webbing.
- ◆ Advanced corrosion-resistant finish on hardware.
- ◆ Comfortable, overmolded grip ensures superior control.
- ◆ Strong and highly abrasion-resistant polyester webbing.

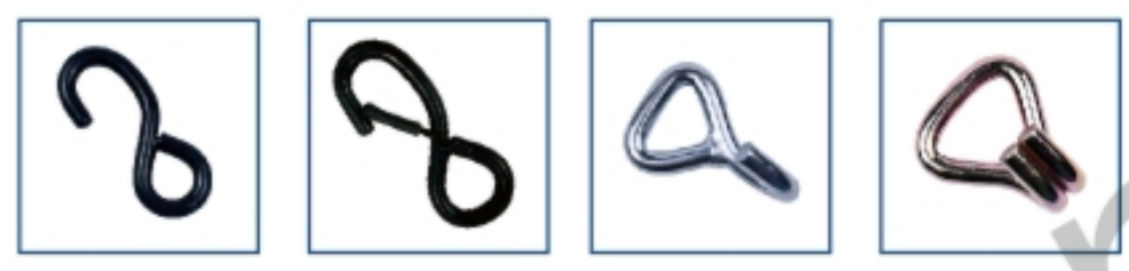
Length	Width	B/S
3.5M	50MM	2T



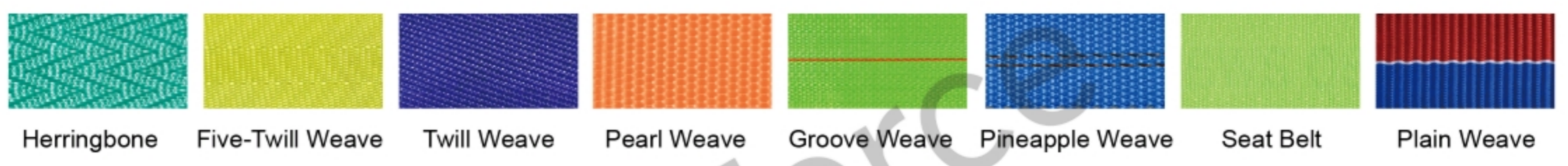
Webbing Colour



Some colors have become the industry standard, but we have the ability to produce webbing in different colors.



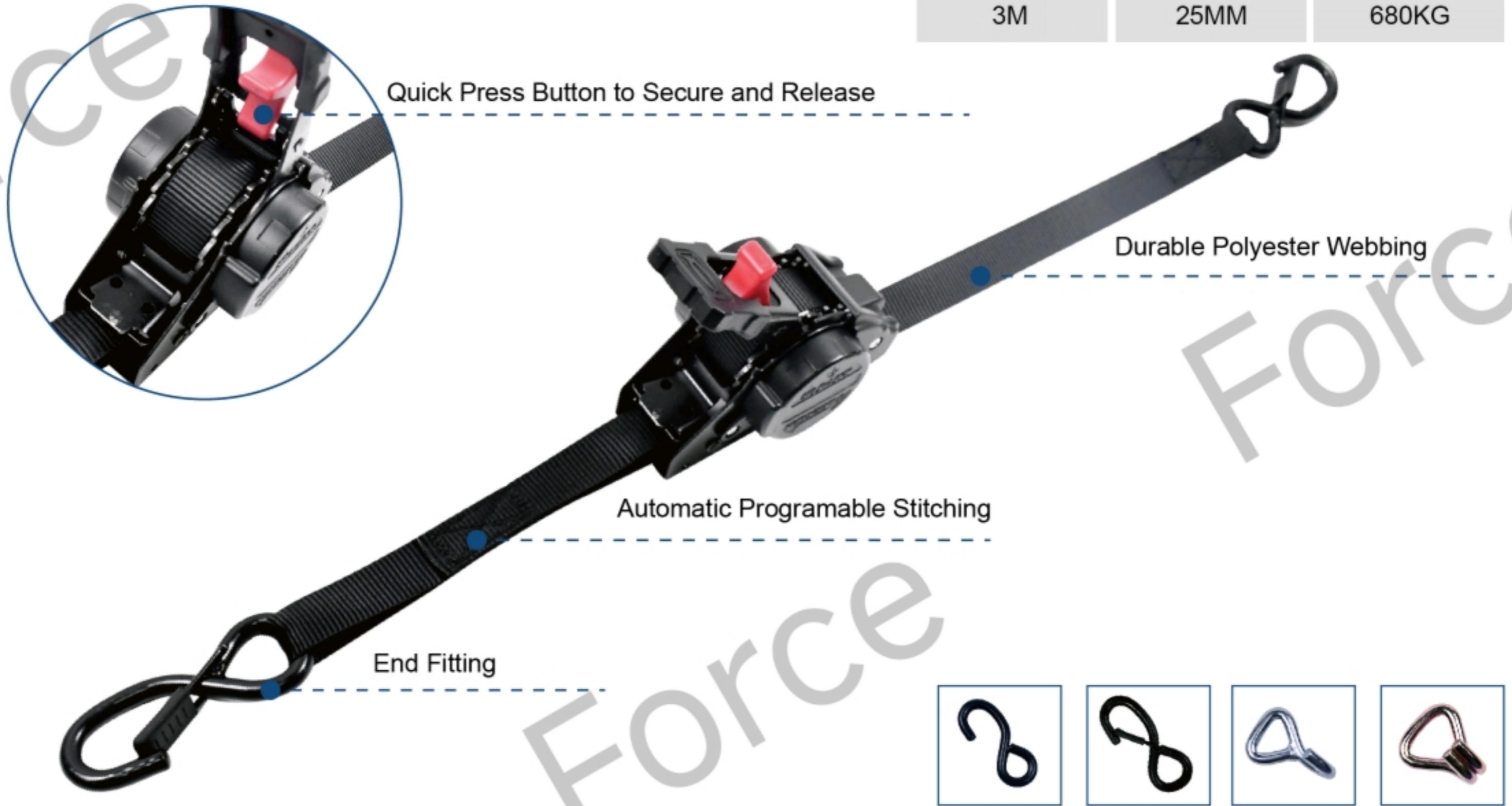
Webbing Texture



25mm

Auto Retractable Ratchet Tie Down Strap

Length	Width	B/S
3M	25MM	680KG

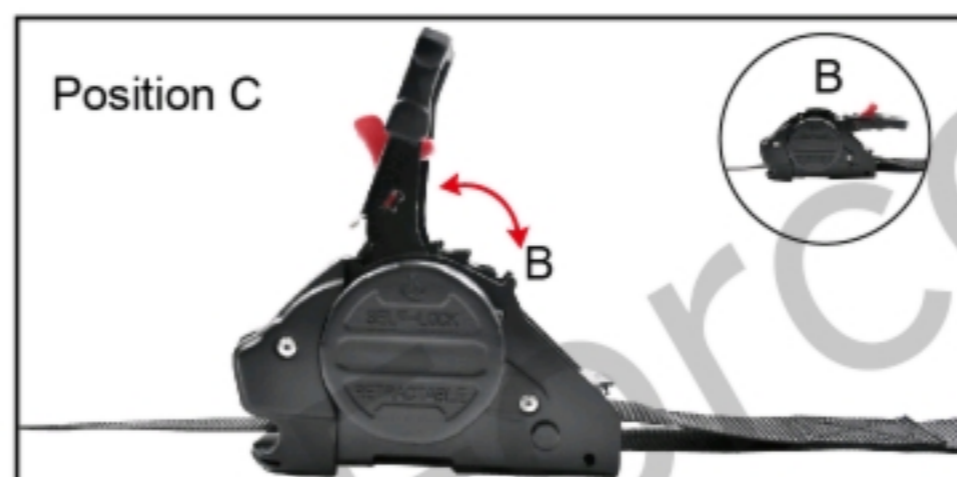


Tightening Process

1. Pulling the Webbing: Set the lever to Position A. The webbing can now be pulled out freely in one direction to the desired length.
2. Tightening and Locking: Press and hold the red button, then push the lever fully to Position B. Release the button. Repeatedly move the lever between Position B and Position C to tighten the strap. Once fully tensioned, return the lever to Position A to lock securely.

Releasing Process

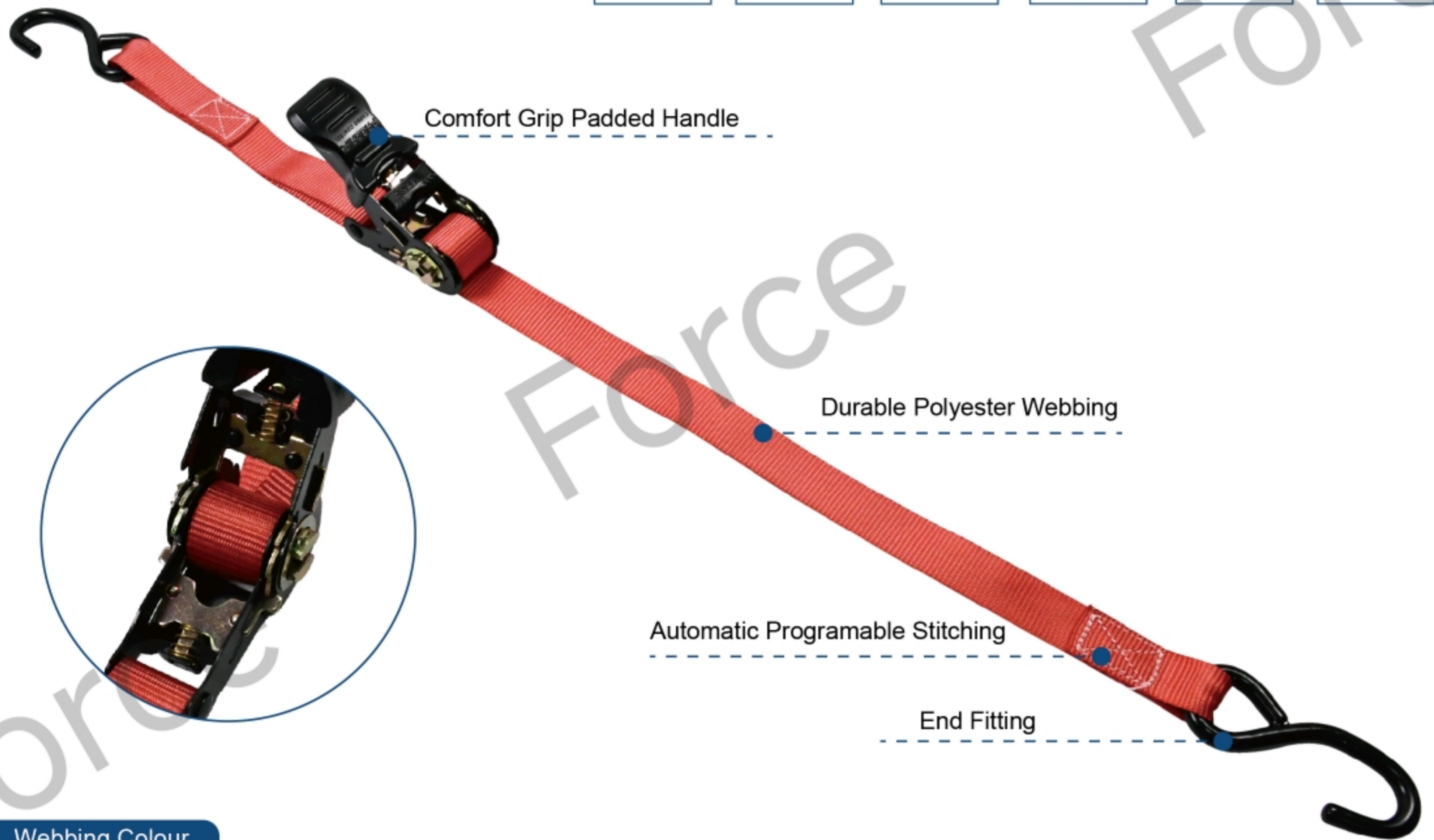
1. Ensure the lever is in Position A, then press and hold the red button.
2. The webbing will retract automatically. Release the button to stop.



25mm Mini Cargo Lashing Belt

- ◆ Light-duty vinyl coated S-hook.
- ◆ Eco-friendly water-based printing on webbing.
- ◆ Advanced corrosion-resistant finish on hardware.
- ◆ Comfortable, overmolded grip ensures superior control.
- ◆ Strong and highly abrasion-resistant polyester webbing.

Length	Width	B/S
3M	25MM	800KG

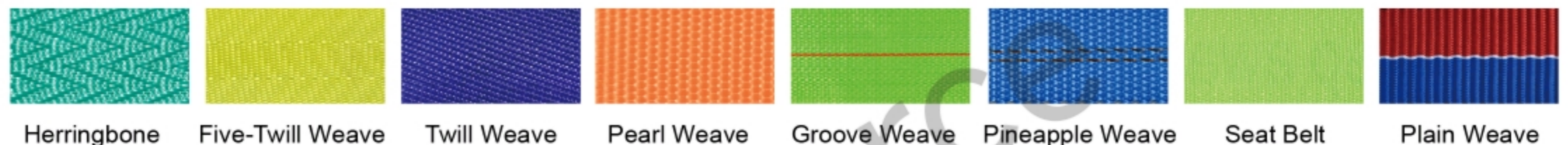


Webbing Colour



Some colors have become the industry standard, but we have the ability to produce webbing in different colors.

Webbing Texture



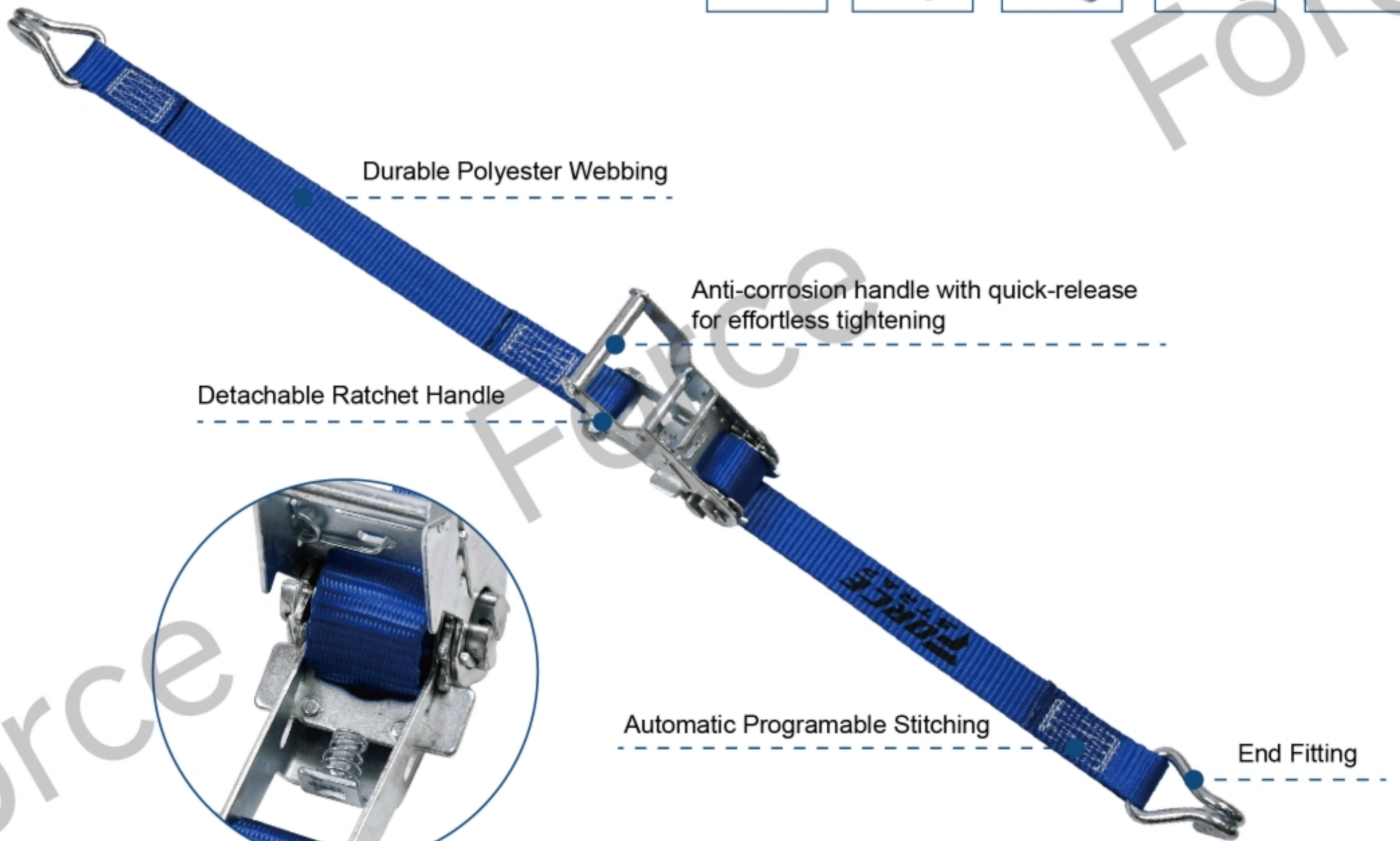
27mm Customizable Durable Ratchet Binding Strap

EUROPEAN MARKET

- ◆ Short welded zinc coated double J-hook.
- ◆ Eco-friendly water-based printing on webbing.
- ◆ Advanced corrosion-resistant finish on hardware.
- ◆ Comfortable, overmolded grip ensures superior control.
- ◆ Strong and highly abrasion-resistant polyester webbing.

Length	Width	B/S
3M	27MM	1T

According To EN 12195-2

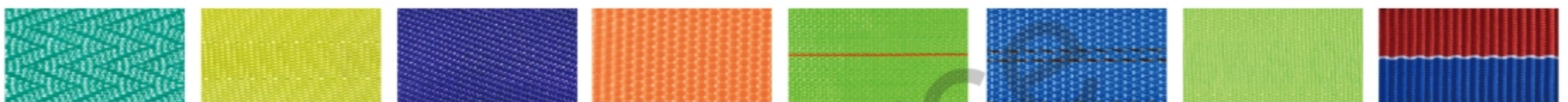


Webbing Colour



Some colors have become the industry standard, but we have the ability to produce webbing in different colors.

Webbing Texture



Herringbone Five-Twill Weave Twill Weave Pearl Weave Groove Weave Pineapple Weave Seat Belt Plain Weave

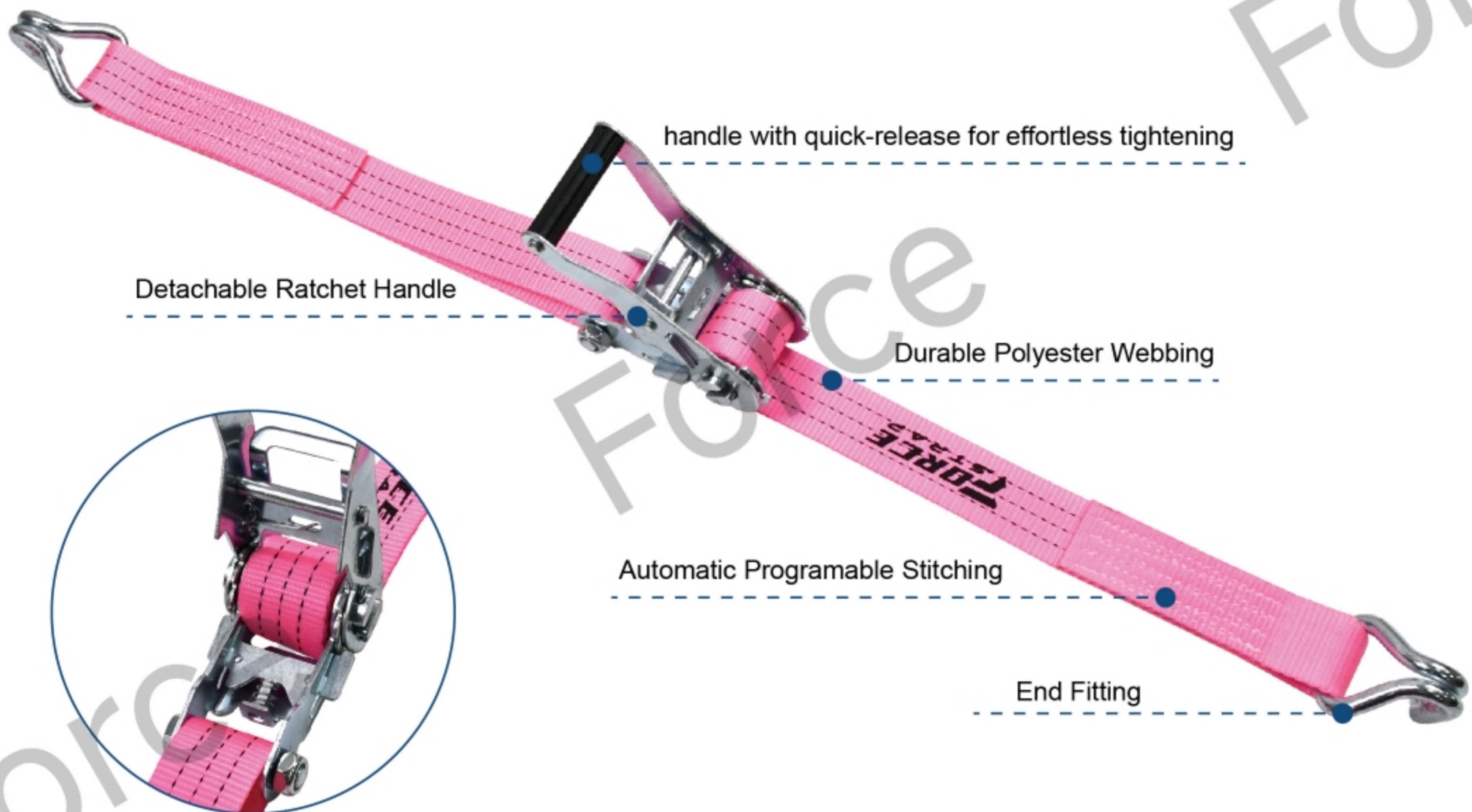
38mm High Quality Cargo Lashing Strap

EUROPEAN MARKET

- ◆ Short welded zinc coated double J-hook.
- ◆ Eco-friendly water-based printing on webbing.
- ◆ Advanced corrosion-resistant finish on hardware.
- ◆ Comfortable, overmolded grip ensures superior control.
- ◆ Strong and highly abrasion-resistant polyester webbing.

Length	Width	B/S
5M	38MM	3T

According To EN 12195-2

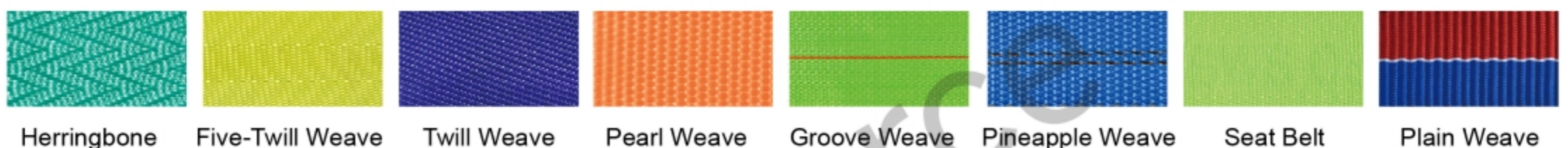


Webbing Colour



Some colors have become the industry standard, but we have the ability to produce webbing in different colors.

Webbing Texture



38mm Finger Handle Ratchet Strap for Cargo Control

EUROPEAN MARKET

- ◆ Heavy-duty vinyl coated S-hook with keeper.
- ◆ Eco-friendly water-based printing on webbing.
- ◆ Advanced corrosion-resistant finish on hardware.
- ◆ Comfortable, overmolded grip ensures superior control.
- ◆ Strong and highly abrasion-resistant polyester webbing.

Length	Width	W.L.L.
5M	38MM	3T

According To EN 12195-2

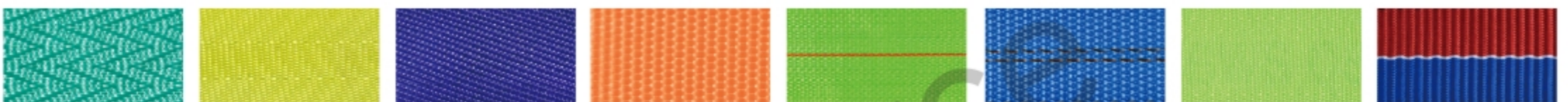


Webbing Colour



Some colors have become the industry standard, but we have the ability to produce webbing in different colors.

Webbing Texture



Herringbone Five-Twill Weave Twill Weave Pearl Weave Groove Weave Pineapple Weave Seat Belt Plain Weave

50mm Heavy Duty Ratchet Strap

EUROPEAN MARKET

- ◆ Short welded zinc coated double J-hook.
- ◆ Eco-friendly water-based printing on webbing.
- ◆ Advanced corrosion-resistant finish on hardware.
- ◆ Comfortable, overmolded grip ensures superior control.
- ◆ Strong and highly abrasion-resistant polyester webbing.

Length	Width	B/S
10M	50MM	5T

According To EN 12195-2

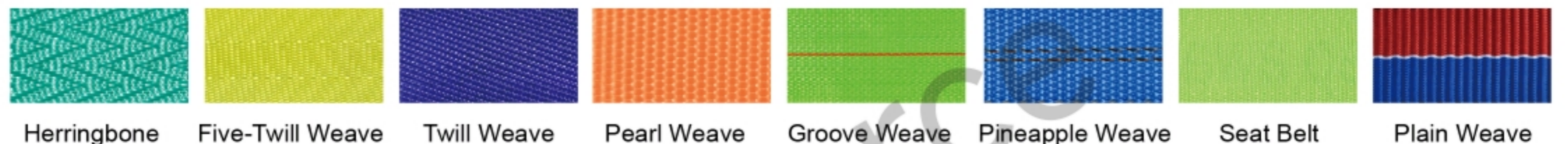


Webbing Colour



Some colors have become the industry standard, but we have the ability to produce webbing in different colors.

Webbing Texture

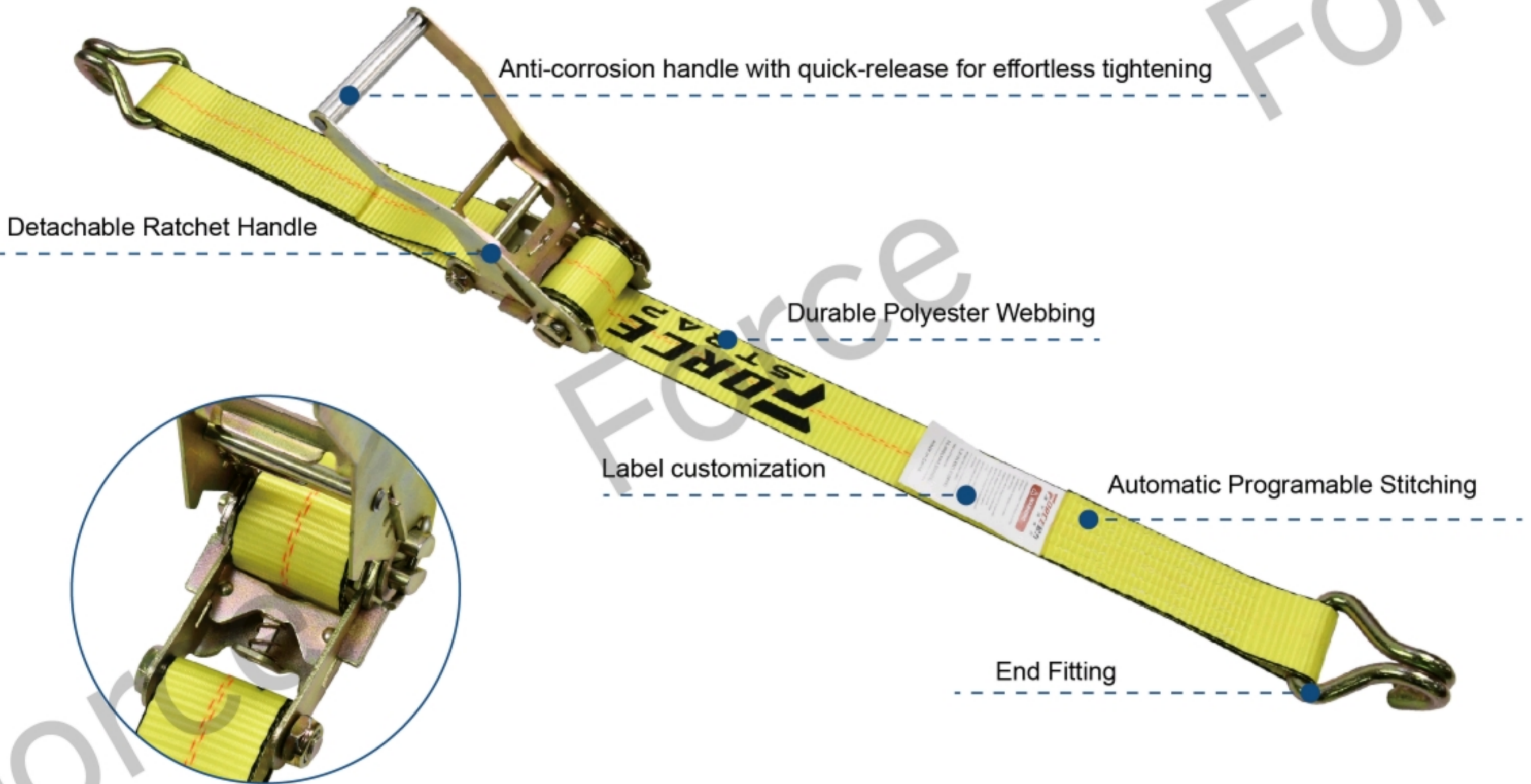


50mm Standard Ratchet Tie Down Load Strap

AMERICAN MARKET

- ◆ Short welded zinc coated double J-hook.
- ◆ Eco-friendly water-based printing on webbing.
- ◆ Advanced corrosion-resistant finish on hardware.
- ◆ Comfortable, overmolded grip ensures superior control.
- ◆ Strong and highly abrasion-resistant polyester webbing.

Length	Width	W.L.L.
30FT	2"	1450LBS

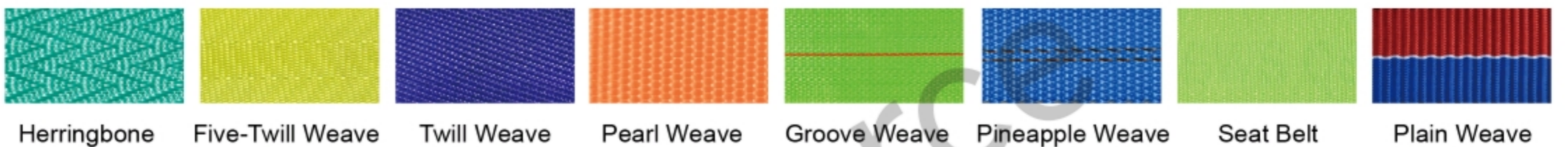


Webbing Colour



Some colors have become the industry standard, but we have the ability to produce webbing in different colors.

Webbing Texture

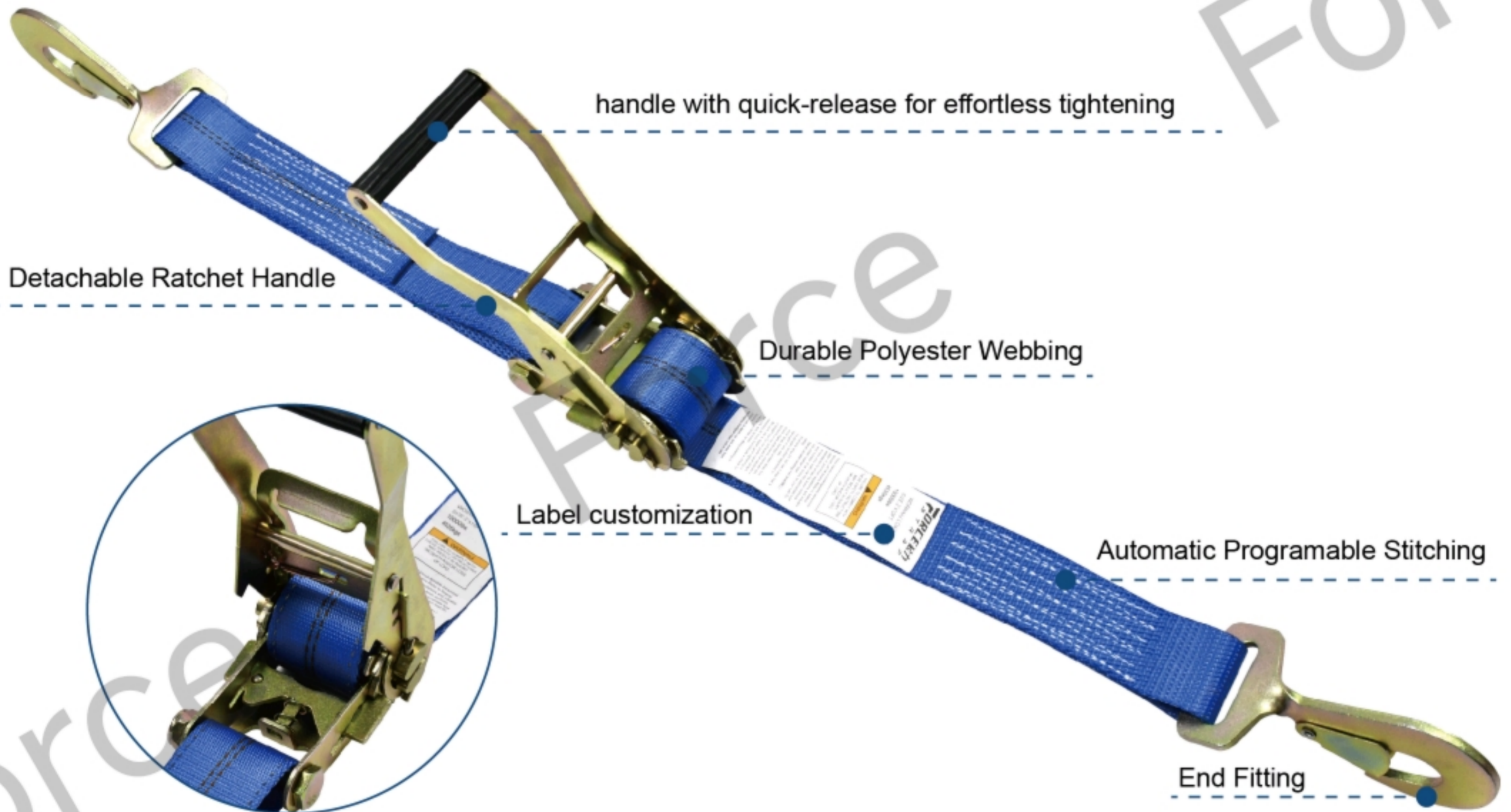


50mm Polyester Ratchet Buckle Strap

AMERICAN MARKET

- ◆ Twisted flat snap hook is made of carbon steel.
- ◆ Eco-friendly water-based printing on webbing.
- ◆ Advanced corrosion-resistant finish on hardware.
- ◆ Comfortable, overmolded grip ensures superior control.
- ◆ Strong and highly abrasion-resistant polyester webbing.

Length	Width	W.L.L.
30FT	2"	1450LBS

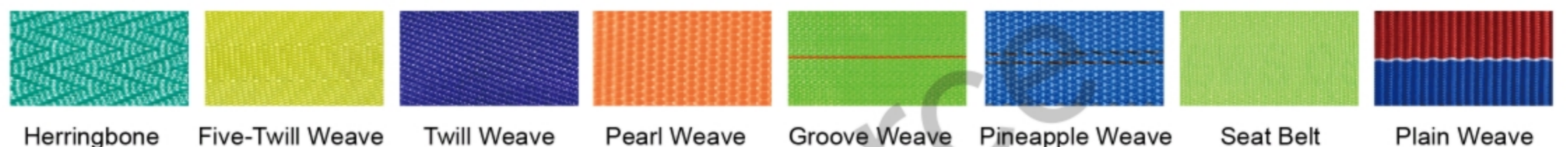


Webbing Colour



Some colors have become the industry standard, but we have the ability to produce webbing in different colors.

Webbing Texture



50mm Truck Ratchet Tie Down Strap

AMERICAN MARKET

- ◆ Heavy duty flat hook with aluminum defender.
- ◆ Eco-friendly water-based printing on webbing.
- ◆ Advanced corrosion-resistant finish on hardware.
- ◆ Comfortable, overmolded grip ensures superior control.
- ◆ Strong and highly abrasion-resistant polyester webbing.

Length	Width	W.L.L.
30FT	2"	1450LBS

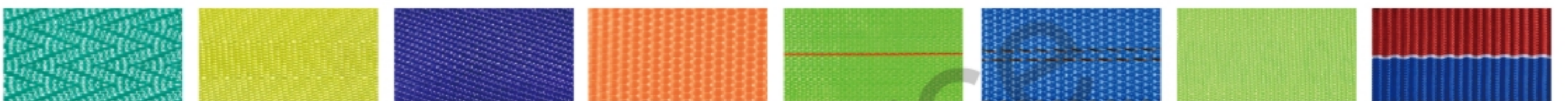


Webbing Colour



Some colors have become the industry standard, but we have the ability to produce webbing in different colors.

Webbing Texture



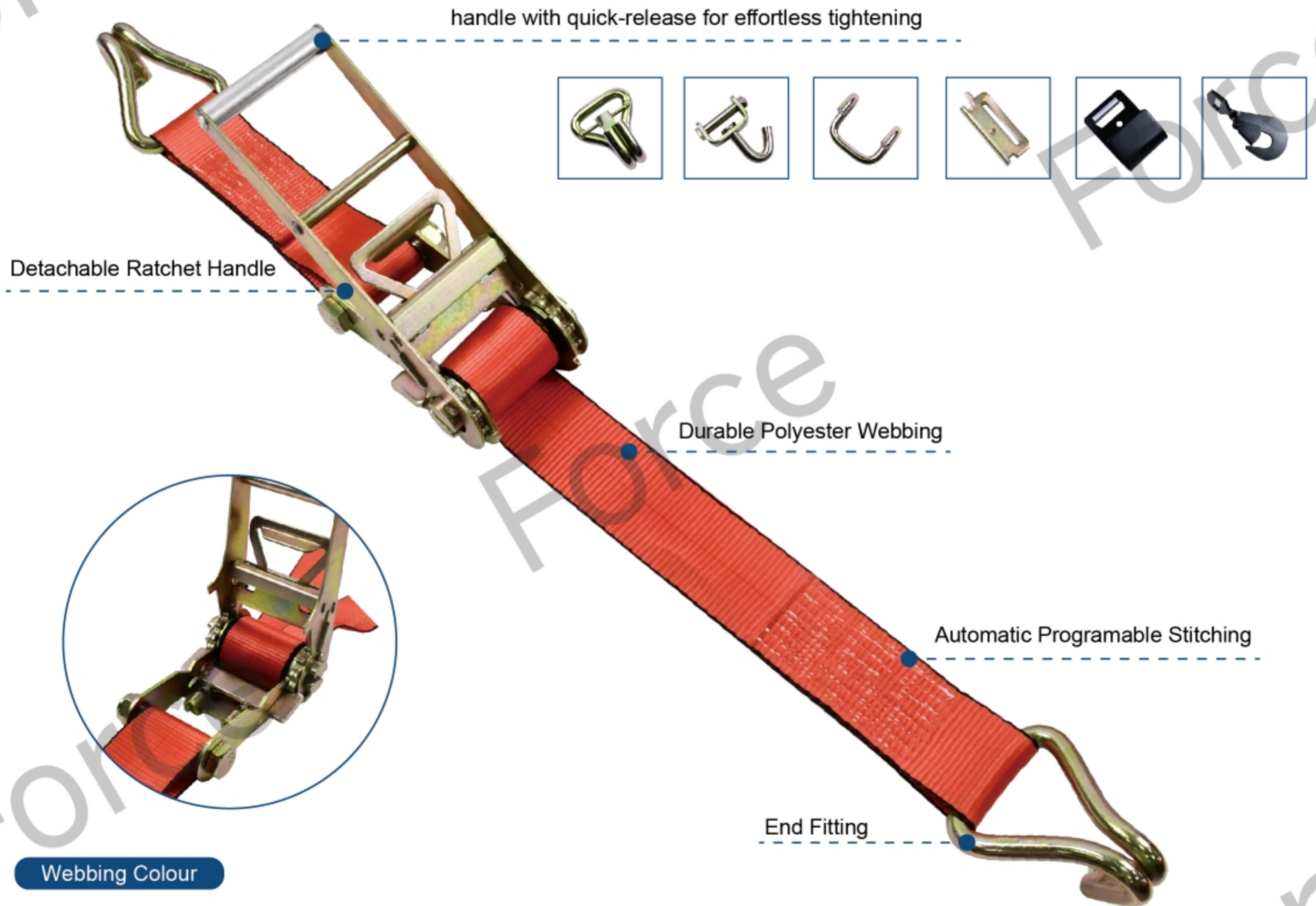
Herringbone Five-Twill Weave Twill Weave Pearl Weave Groove Weave Pineapple Weave Seat Belt Plain Weave

75mm Customizable Durable Ratchet Binding Strap

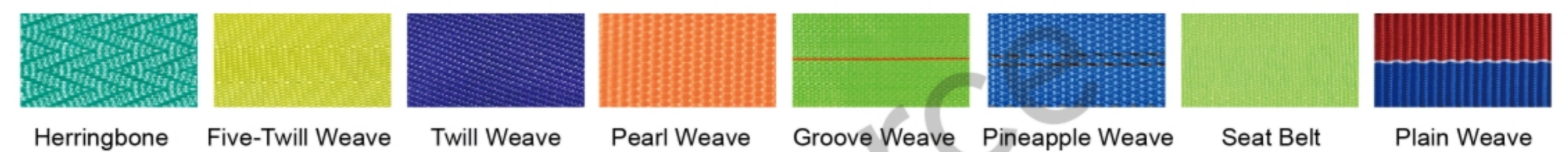
AMERICAN MARKET

- ◆ Short welded zinc coated double J-hook.
- ◆ Eco-friendly water-based printing on webbing.
- ◆ Advanced corrosion-resistant finish on hardware.
- ◆ Comfortable, overmolded grip ensures superior control.
- ◆ Strong and highly abrasion-resistant polyester webbing.

Length	Width	W.L.L.
30FT	3"	5400LBS



Some colors have become the industry standard, but we have the ability to produce webbing in different colors.



Winch Strap Cargo Securement Belt

AMERICAN MARKET

- ◆ Heavy duty flat hook with aluminum defender.
- ◆ Eco-friendly water-based printing on webbing.
- ◆ Advanced corrosion-resistant finish on hardware.
- ◆ Strong and highly abrasion-resistant polyester webbing.

Length	Width	W.L.L.
30FT	4"	5400LBS

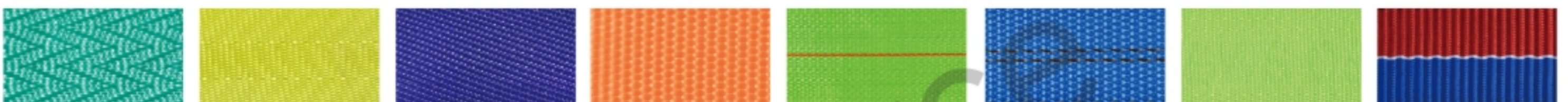


Webbing Colour



Some colors have become the industry standard, but we have the ability to produce webbing in different colors.

Webbing Texture



Herringbone Five-Twill Weave Twill Weave Pearl Weave Groove Weave Pineapple Weave Seat Belt Plain Weave

50mm Customized High Quality Cargo Lashing Ropes

AUSTRALIA MARKET

- ◆ Zinc plated swan double J hook with keeper.
- ◆ Eco-friendly water-based printing on webbing.
- ◆ Advanced corrosion-resistant finish on hardware.
- ◆ Comfortable, overmolded grip ensures superior control.
- ◆ Strong and highly abrasion-resistant polyester webbing.

Length	Width	BS
10M	50MM	5T

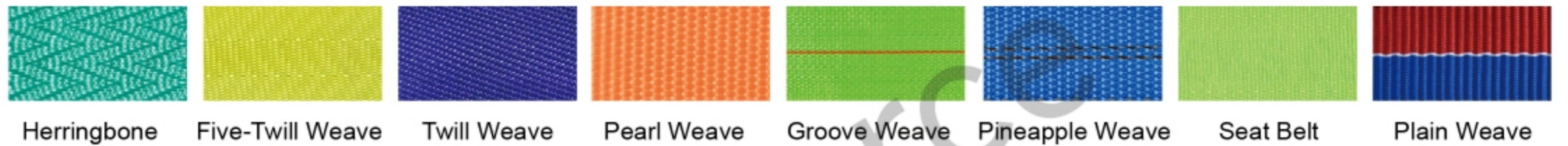


Webbing Colour



Some colors have become the industry standard, but we have the ability to produce webbing in different colors.

Webbing Texture

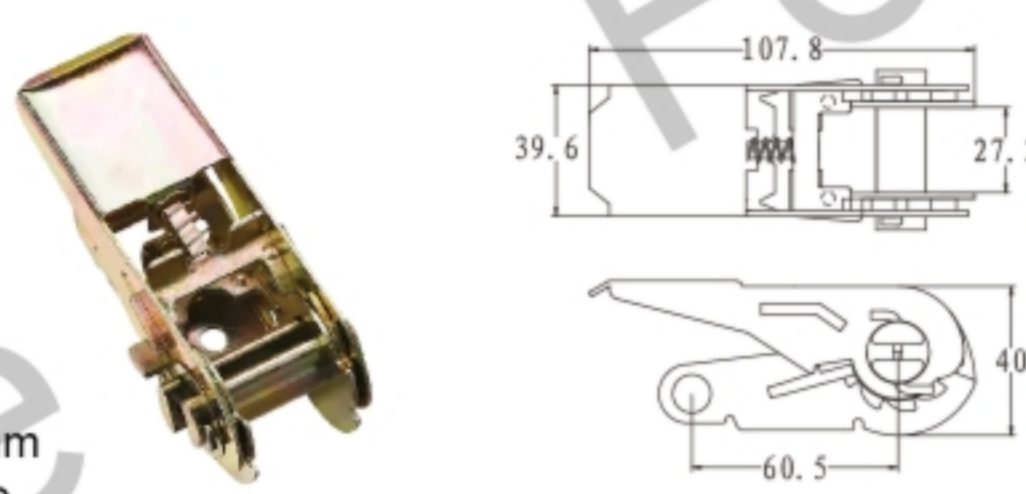


TIE DOWN ACCESSORIES



Ratchet Buckle

QL29



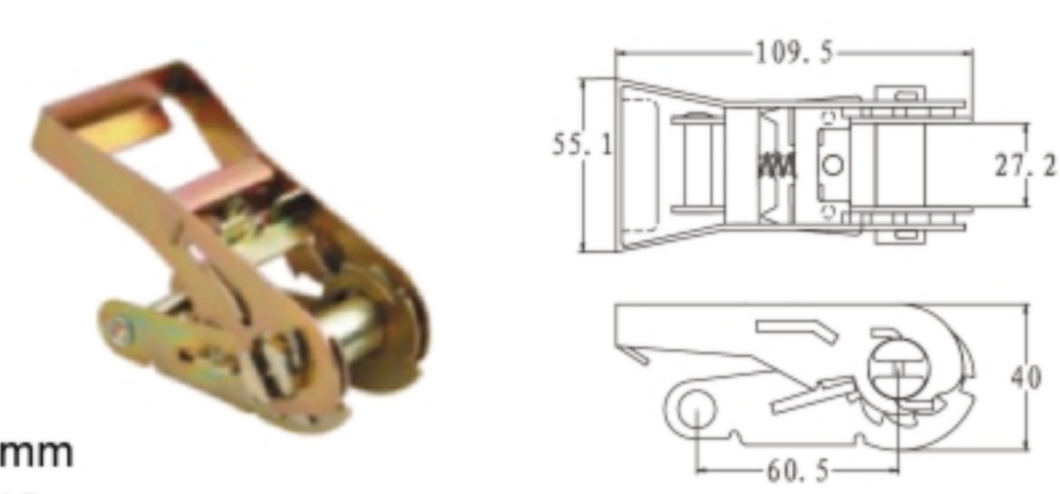
▶ Width: 25mm
B/S: 800KG
100PCS/CTN,G.W/N.W:23.5KG/22.5KG

QL29 Stainless Steel



▶ Width: 25mm
B/S: 800KG
100PCS/CTN,G.W/N.W:23KG/22KG

QL29N



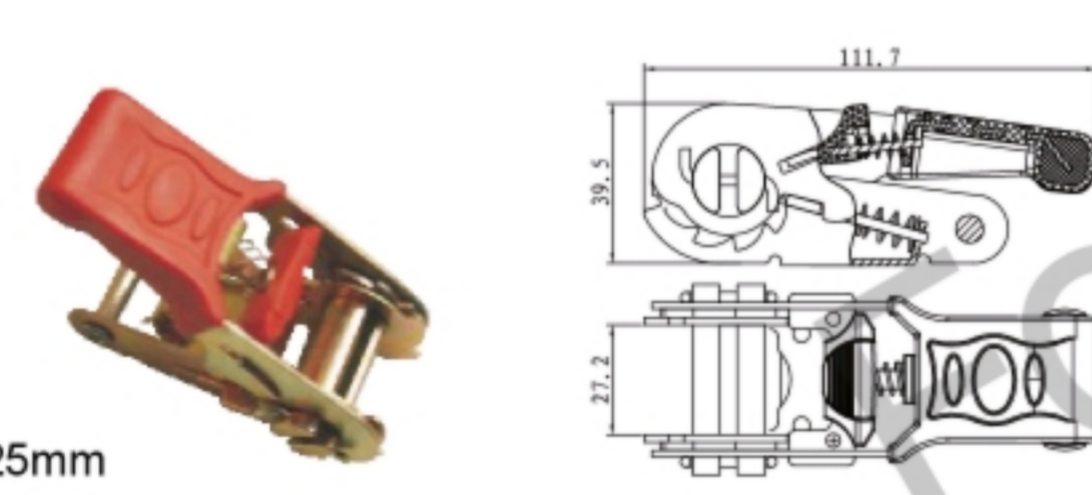
▶ Width: 25mm
B/S: 800KG
100PCS/CTN,G.W/N.W:24KG/23KG

QL29A



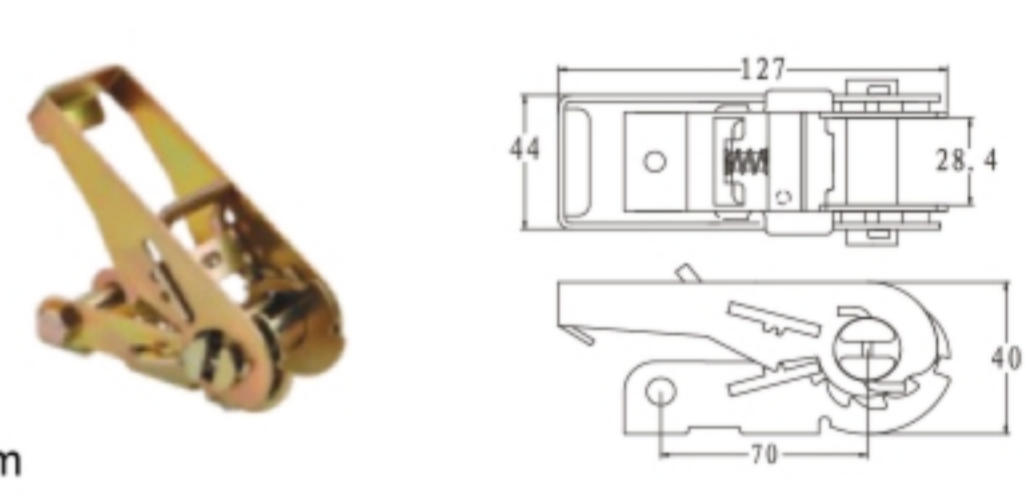
▶ Width: 25mm
B/S: 800KG
100PCS/CTN,G.W/N.W:23KG/22KG

QL29B



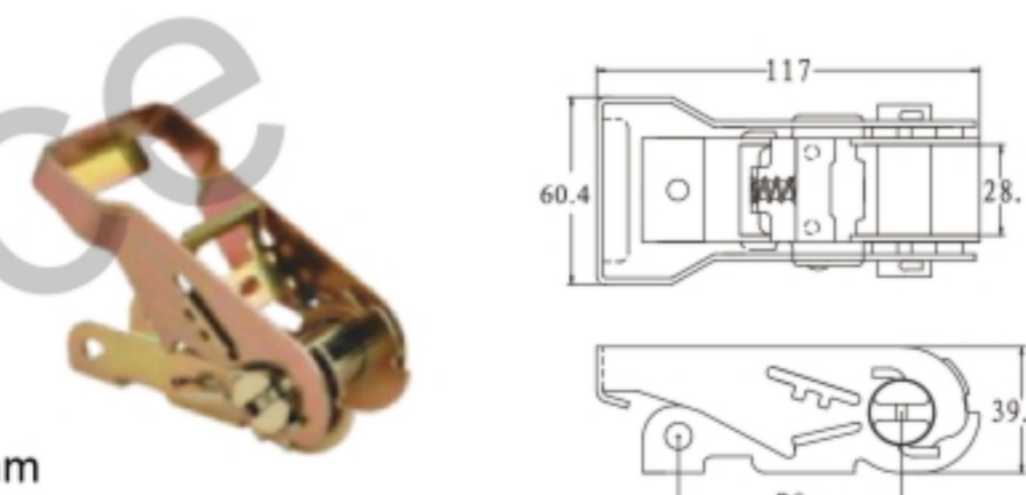
▶ Width: 25mm
B/S: 800KG
100PCS/CTN,G.W/N.W:22KG/21KG

QL25



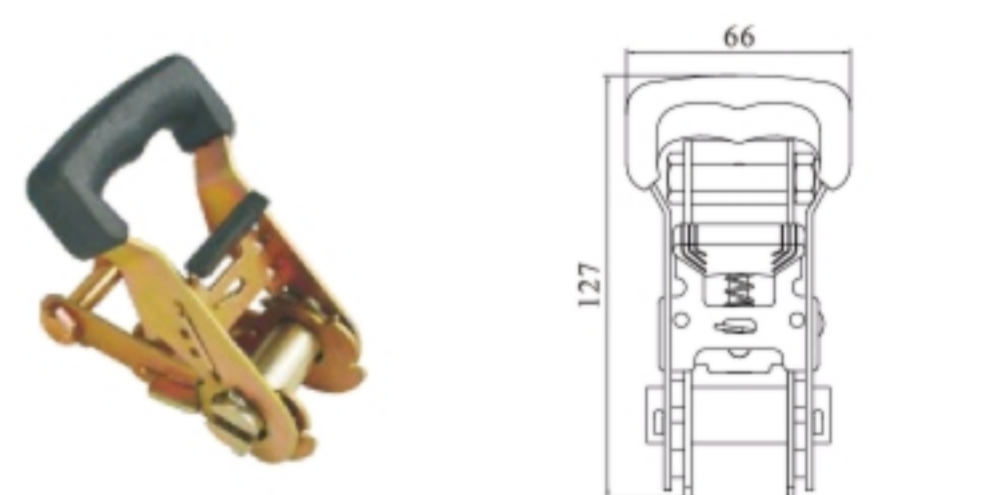
▶ Width: 25mm
B/S: 1500KG
40PCS/CTN,G.W/N.W:15KG/14KG

QL26



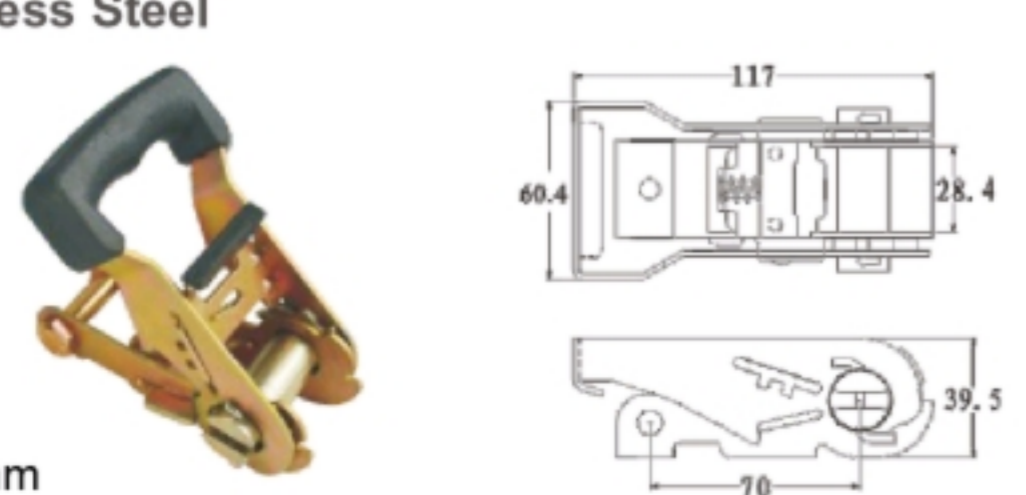
▶ Width: 25mm
B/S: 1500KG
40PCS/CTN,G.W/N.W:15KG/14KG

QL26C



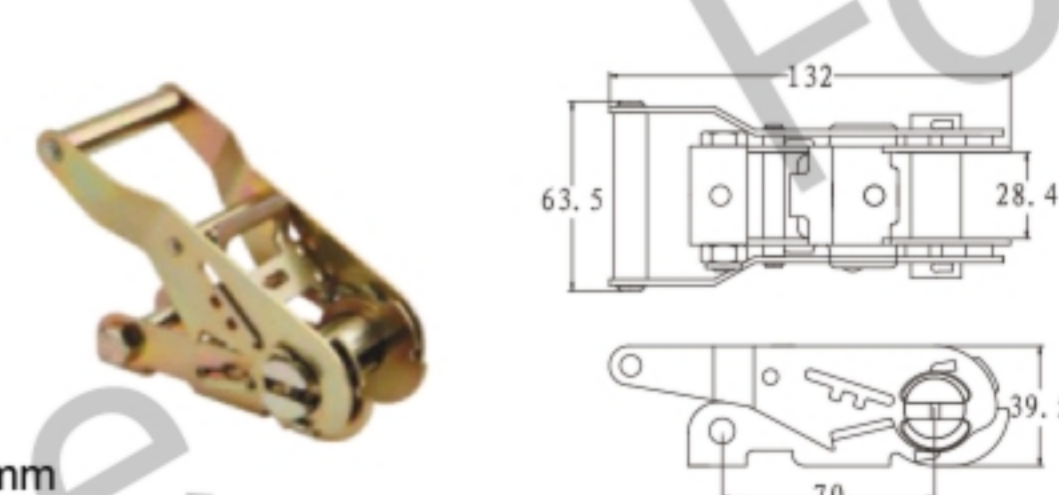
▶ Width: 25mm
B/S: 1875KG
40PCS/CTN,G.W/N.W:15KG/14KG

QL26 Stainless Steel



▶ Width: 25mm
B/S: 1500KG
40PCS/CTN,G.W/N.W:16KG/15KG

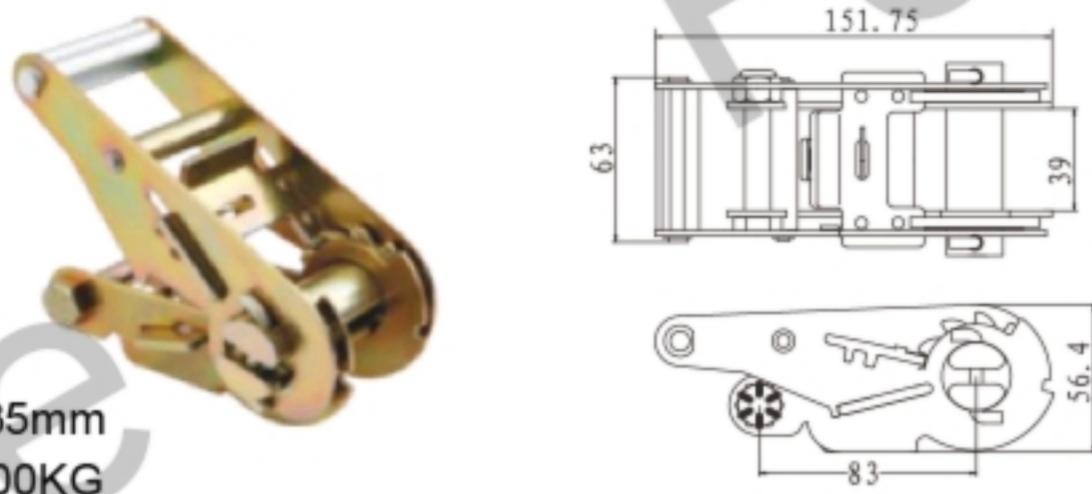
QL27



▶ Width: 25mm
B/S: 1500KG
40PCS/CTN,G.W/N.W:15KG/14KG

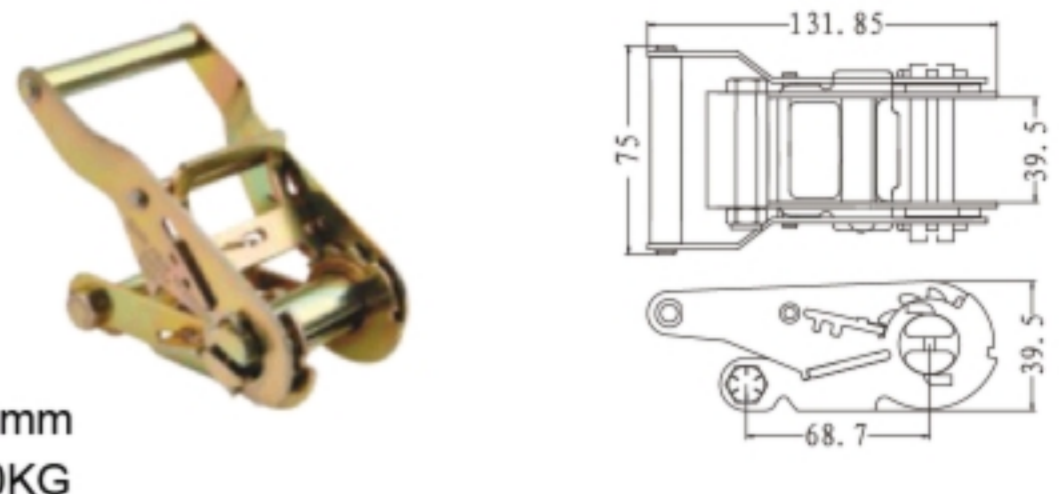
Ratchet Buckle

QL35



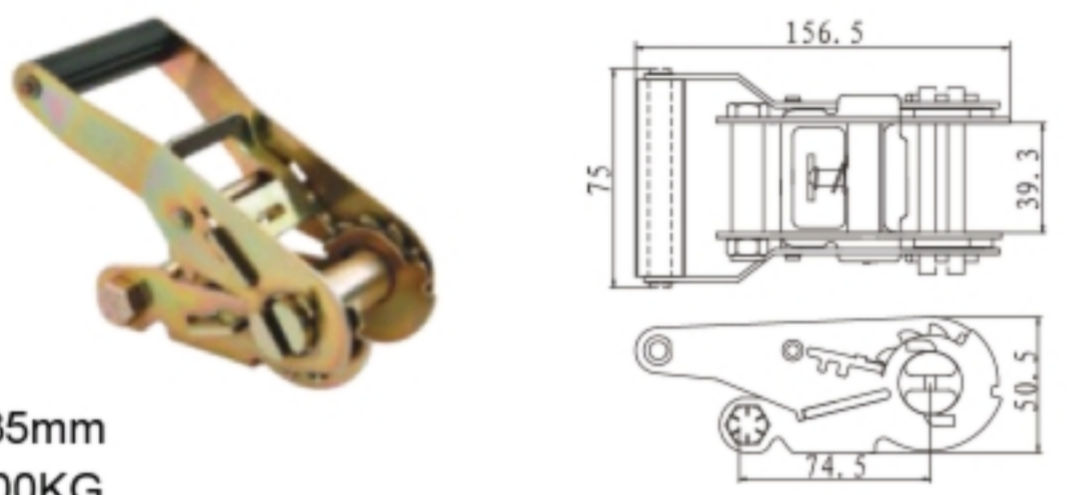
▶ Width: 35mm
B/S: 3000KG
20PCS/CTN,G.W/N.W:17KG/16KG

QL33



▶ Width: 35mm
B/S: 2000KG
40PCS/CTN,G.W/N.W:19KG/18KG

QL38A



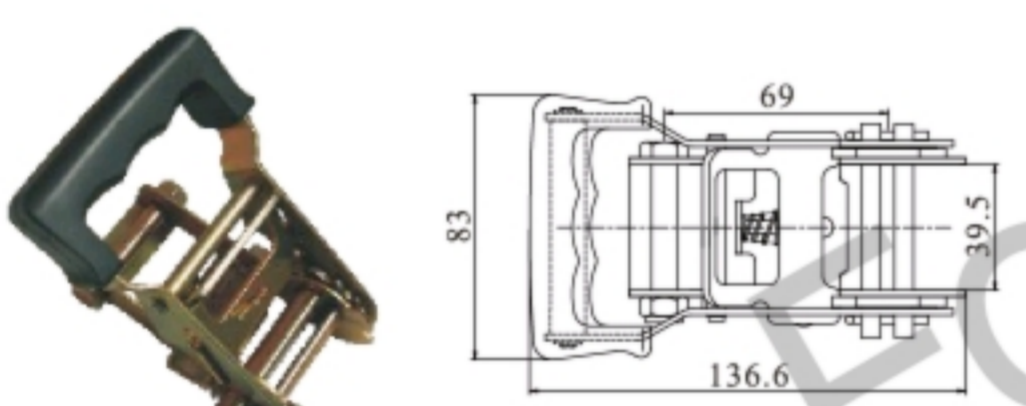
▶ Width: 35mm
B/S: 3500KG
20PCS/CTN,G.W/N.W:12KG/11KG

QL32



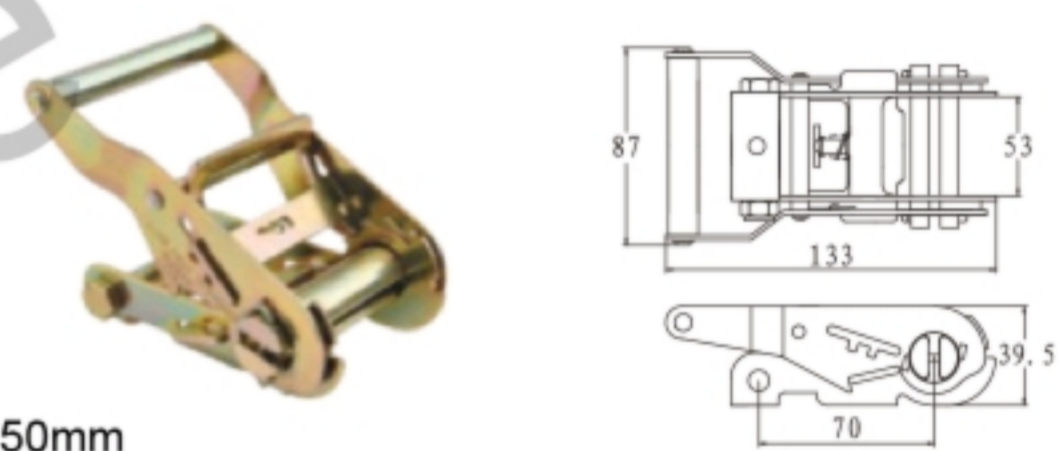
▶ Width: 35mm
B/S: 2500KG
40PCS/CTN,G.W/N.W:19KG/18KG

QL38E



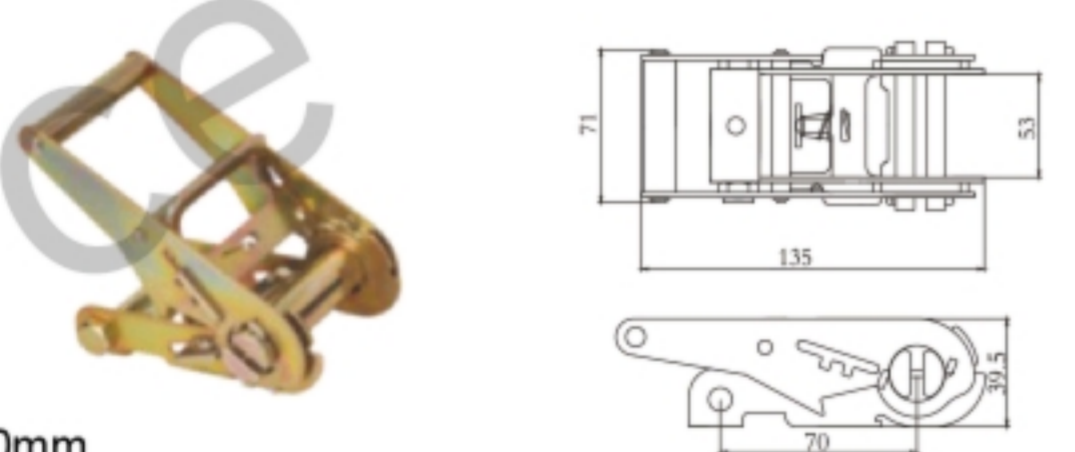
▶ Width: 35mm
B/S: 2000KG
50PCS/CTN,G.W/N.W:22KG/23KG

QL53



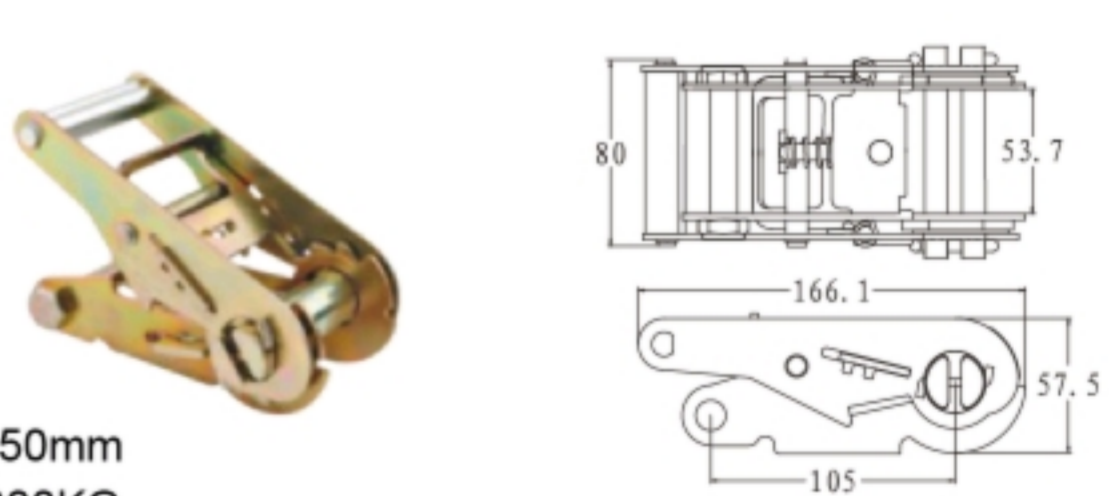
▶ Width: 50mm
B/S: 2000KG
40PCS/CTN,G.W/N.W:22KG/21KG

QL53B



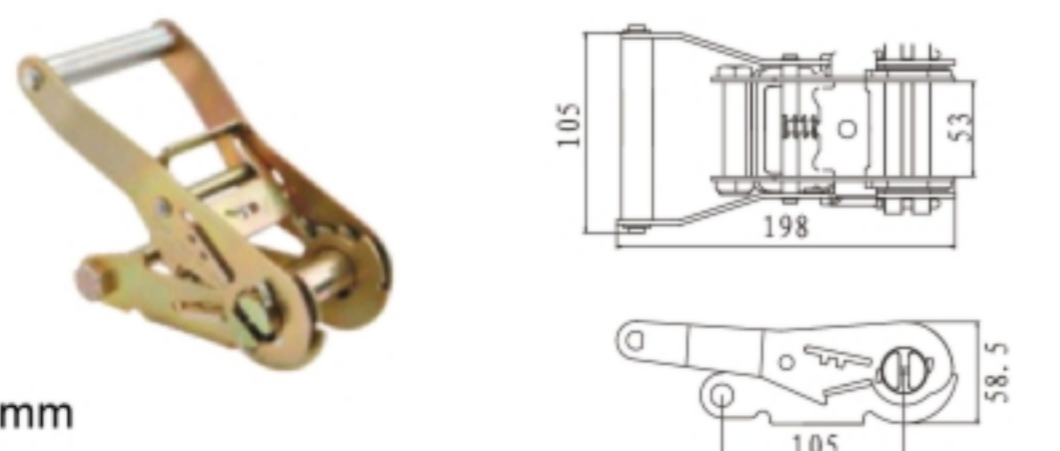
▶ Width: 50mm
B/S: 2000KG
40PCS/CTN,G.W/N.W:21KG/20KG

QL54



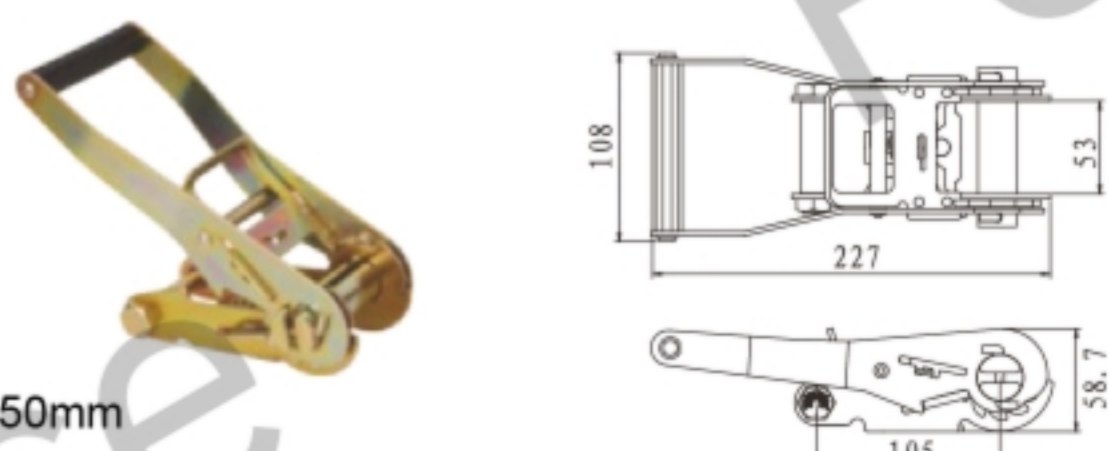
▶ Width: 50mm
B/S: 5000KG
20PCS/CTN,G.W/N.W:22KG/21KG

QL51



▶ Width: 50mm
B/S: 5000KG
20PCS/CTN,G.W/N.W:22KG/21KG

QL50



▶ Width: 50mm
B/S: 5000KG
20PCS/CTN,G.W/N.W:23KG/22KG

Ratchet Buckle

QL51G

▶ Width: 50mm
B/S: 5000KG
10PCS/CTN,G.W/N.W:16.5KG/17.5KG

QL50S

▶ Width: 50mm
B/S: 5000KG
20PCS/CTN,G.W/N.W:20KG/19KG

QL53B

▶ Width: 50mm
B/S: 5000KG
20PCS/CTN,G.W/N.W:21KG/20KG

QL50SG

▶ Width: 50mm
B/S: 5000KG
15PCS/CTN,G.W/N.W:22KG/21KG

QL50SJ

▶ Width: 50mm
B/S: 5000KG
14PCS/CTN,G.W/N.W:20.5KG/19.5KG

QL50ST

▶ Width: 50mm
B/S: 5000KG
10PCS/CTN,G.W/N.W:22KG/21KG

QL50SU

▶ Width: 50mm
B/S: 5000KG
16PCS/CTN,G.W/N.W:26.5KG/25.5KG

QL75

▶ Width: 75mm
B/S: 10000KG
20PCS/CTN,G.W/N.W:17KG/16KG

QL100

▶ Width: 100mm
B/S: 10000KG
6PCS/CTN,G.W/N.W:19KG/18KG

QL50

▶ Width: 150mm
B/S: 20000KG
2PCS/CTN,G.W/N.W:23.5KG/22.5KG

▶ **Ratchet Buckle**

<p>QLRB-001</p>  <p>▶ Width: 1" B/S: 800KG</p>	<p>QLR-B002</p>  <p>▶ Width: 1" B/S: 800KG</p>	<p>QLRB-003</p>  <p>▶ Width: 1" B/S: 800KG</p>	<p>QLRB-004</p>  <p>▶ Width: 1" B/S: 800KG</p>
<p>QLRB-005</p>  <p>▶ Width: 1" B/S: 800KG</p>	<p>QLRB-006</p>  <p>▶ Width: 1.5" B/S: 2T</p>	<p>QLRB-007</p>  <p>▶ Width: 2" B/S: 2T</p>	<p>QLRB-008</p>  <p>▶ Width: 11/16" B/S: 1.5T</p>
<p>QLRB-009</p>  <p>▶ Width: 11/16" B/S: 1.5T</p>	<p>QLRB-010</p>  <p>▶ Width: 1.5" B/S: 2T</p>	<p>QLRB-011</p>  <p>▶ Width: 2" B/S: 2T</p>	<p>QLRB-012</p>  <p>▶ Width: 1.5" B/S: 2T</p>
<p>QLRB-013</p>  <p>▶ Width: 1.5" B/S: 2.5T</p>	<p>QLRB-014</p>  <p>▶ Width: 1.5" B/S: 2.5T</p>	<p>QLRB-015</p>  <p>▶ Width: 1.5" B/S: 2T</p>	<p>QLRB-016</p>  <p>▶ Width: 2" B/S: 3T</p>
<p>QLRB-017</p>  <p>▶ Width: 2" B/S: 3T</p>	<p>QLRB-018</p>  <p>▶ Width: 2" B/S: 5T</p>	<p>QLRB-019</p>  <p>▶ Width: 2" B/S: 5T</p>	<p>QLRB-020</p>  <p>▶ Width: 2" B/S: 5T</p>

Ratchet Buckle



Cam Buckle

QL06

▶ Width: 25mm
B/S: 300KG
400PCS/CTN,G.W/N.W:31.5KG/30.5KG

QL05

▶ Width: 25mm
B/S: 700KG
200PCS/CTN,G.W/N.W:23KG/22KG

QL05N

▶ Width: 25mm
B/S: 800KG
150PCS/CTN,G.W/N.W:28KG/27KG

QL03

▶ Width: 50mm
B/S: 1100KG
100PCS/CTN,G.W/N.W:27KG/26KG

QLCB-001

▶ Width: 26mm
B/S: 350KG

QLCB-002

▶ Width: 26mm
B/S: 350KG

QLCB-003

▶ Width: 38mm
B/S: 700KG

QLCB-004

▶ Width: 25mm
B/S: 700KG

QLCB-005

▶ Width: 25mm
B/S: 250KG

QLCB-006

▶ Width: 38mm
B/S: 700KG

QLCB-007

▶ Width: 28mm
B/S: 500KG

QLCB-008

▶ Width: 26mm
B/S: 800KG

Wire Hook

Item No.	B/S KG	A mm	B mm	C mm	D mm	Q'ty PCS/CTN	G.W KG	N.W KG
S50	220	107	25	28	8	250	24	23
S150	700	107	25	28	8	250	24	23
S220	1000	108	25	25	8.5	250	24.5	23.5
S250	1100	120	27	33	9.5	120	18	17
S330	1500	121	28	28	10	120	19	18

Color Zinc
Vinyl Coated
White Zinc

Wire Hook

QL307

► Width: 25mm
B/S: 1350KG
400PCS/CTN,G.W/N.W:23KG/22KG

QL307A

► Width: 25mm
B/S: 1500KG
300PCS/CTN,G.W/N.W:25KG/24KG

QL303

► Width: 25mm
B/S: 1100KG
400PCS/CTN,G.W/N.W:18.5KG/17.5KG

QL313

► Width: 25mm
B/S: 1500KG
200PCS/CTN,G.W/N.W:31KG/30KG

QL308+D21A

► Width: 25mm
B/S: 1500KG
200PCS/CTN,G.W/N.W:25KG/24KG

QL302A

► Width: 45mm
B/S: 3000KG
100PCS/CTN,G.W/N.W:18.5KG/17.5KG

QL317

► Width: 35mm
B/S: 2000KG
200PCS/CTN,G.W/N.W:27KG/26KG

QL316

► Width: 35mm
B/S: 2000KG
200PCS/CTN,G.W/N.W:21KG/20KG

QL314

► Width: 35mm
B/S: 3000KG
50PCS/CTN,G.W/N.W:15.5KG/15KG

QL400

► Width: 45mm
B/S: 450KG
300PCS/CTN,G.W/N.W:22KG/21KG

Wire Hook

QL310A

► Width: 35mm
B/S: 3000KG
50PCS/CTN,G.W/N.W:15KG/14.5KG

QL315+D24

► Width: 40mm
B/S: 3000KG
100PCS/CTN,G.W/N.W:26KG/25KG

QL302

► Width: 45mm
B/S: 3000KG
100PCS/CTN,G.W/N.W:21.5KG/20.5KG

QL504

► Width: 50mm
B/S: 2250KG
100PCS/CTN,G.W/N.W:20KG/19KG

QL304

► Width: 50mm
B/S: 1100KG
400PCS/CTN,G.W/N.W:24.5KG/23.5KG

QL501

► Width: 50mm
B/S: 5000KG
100PCS/CTN,G.W/N.W:29KG/28KG

QL501G

► Width: 50mm
B/S: 5000KG
100PCS/CTN,G.W/N.W:23KG/24KG

QL502

► Width: 50mm
B/S: 5000KG
70PCS/CTN,G.W/N.W:26.5KG/25.5KG

QL507B

► B/S: 3000KG
100PCS/CTN,G.W/N.W:19.5KG/18.5KG

QL507C

► B/S: 3000KG
100PCS/CTN,G.W/N.W:14.5KG/13.5KG

Wire Hook

QL508B

▶ Width: 50mm
B/S: 3000KG
100PCS/CTN,G.W/N.W:21.5KG/20.5KG

QL531

▶ Width: 50mm
B/S: 5000KG
100PCS/CTN,G.W/N.W:25.5KG/24.5KG

QL700

▶ Width: 75mm
B/S: 10000KG
40PCS/CTN,G.W/N.W:26KG/25KG

QL520

▶ Width: 50mm
B/S: 5000KG
100PCS/CTN,G.W/N.W:27KG/26KG

QL510

▶ Width: 50mm
B/S: 4000KG
50PCS/CTN,G.W/N.W:25KG/24KG

QL309+D19

▶ Width: 50mm
B/S: 5000KG
50PCS/CTN,G.W/N.W:17.5KG/16.5KG

QL802

▶ Width: 50mm
B/S: 2000KG
100PCS/CTN,G.W/N.W:15KG/14KG

QL255

▶ Width: 25mm
B/S: 1250KG
1000PCS/CTN,G.W/N.W:24KG/23KG

QLWH-001

▶ Width: 2" B/S: 3T

QLWH-002

▶ Width: 2" B/S: 3T

QLWH-003

▶ Width: 2" B/S: 5T

QLWH-004

▶ S-Hook

QLWH-005

▶ S-Hook

► **Flat Hook**

QL073

► Width: 25mm
B/S: 1250KG
1000PCS/CTN,G.W/N.W:24KG/23KG

QL010

► Width: 25mm
B/S: 1600KG
200PCS/CTN,G.W/N.W:22KG/21KG

QL074

► Width: 25mm
B/S: 350KG
500PCS/CTN,G.W/N.W:19.5KG/18.5KG

QL072

► Width: 25mm
B/S: 1600KG
200PCS/CTN,G.W/N.W:15KG/14KG

QL071

► Width: 50mm
B/S: 3000KG
120PCS/CTN,G.W/N.W:21.5KG/20.5KG

QL021

► Width: 50mm
B/S: 4500KG
80PCS/CTN,G.W/N.W:26.5KG/25.5KG

QL030

► Width: 75mm
B/S: 7000KG
60PCS/CTN,G.W/N.W:25KG/24KG

QL042

► Width: 100mm
B/S: 7000KG
60PCS/CTN,G.W/N.W:28KG/27KG

QLFH-001

► Width: 50mm
B/S: 1000KG

QLFH-002

► Width: 50mm
B/S: 3000KG

QLFH-003

► Width: 50mm
B/S: 4500KG

QLFH-004

► Width: 100mm
B/S: 7000KG

Snap Hook

QL053A

▶ Width: 25mm
B/S: 2270KG
200PCS/CTN,G.W/N.W:21KG/20KG

QL051

▶ Width: 50mm
B/S: 2700KG
200PCS/CTN,G.W/N.W:32.5KG/31.5KG

QL032

▶ Width: 50mm
B/S: 5000KG
100PCS/CTN,G.W/N.W:32KG/31KG

QL034

▶ Width: 35mm
B/S: 3000KG
100PCS/CTN,G.W/N.W:17KG/16KG

QL031A

▶ Width: 45mm
B/S: 2200KG
100PCS/CTN,G.W/N.W:16KG/15KG

QL031

▶ Width: 45mm
B/S: 2200KG
100PCS/CTN,G.W/N.W:16KG/15KG

QLSH-01

▶ Width: 50mm
B/S: 5000KG

QLSH-02

▶ Width: 50mm
B/S: 5000KG

QLSH-03

▶ Width: 50mm
B/S: 5000KG

QLSH-04

▶ B/S: 2000KG



Ring

QL22

► Square ring
B/S: 2500KG
200PCS/CTN,G.W/N.W:21KG/20KG

QL12

► Rectangle ring
B/S: 2500KG
200PCS/CTN,G.W/N.W:16KG/15KG

QL13

► Window ring
B/S: 3000KG
200PCS/CTN,G.W/N.W:19KG/18KG

QL14

► D ring
B/S: 6000KG
100PCS/CTN,G.W/N.W:27.5KG/26.5KG

QLDR1

► Eye ring
B/S: 8500KG
50PCS/CTN,G.W/N.W:18.5KG/17.5KG

QL16

► D ring
B/S: 2700KG
500PCS/CTN,G.W/N.W:15KG/14KG

QL-061

► Flat delta ring
B/S: 5000KG
250PCS/CTN,G.W/N.W:28KG/27KG

Forged delta ring

Item No.	B/S KG	A mm	B mm	C mm	D mm	Q'ty PCS/CTN	G.W KG	N.W KG
SYDR3	8000	79	59.2	16	15.2	50	17	16
SYDR4	9000	103	73.2	20	17.5	30	21	20

D ring

Item No.	B/S KG	A mm	B mm	C mm	Q'ty PCS/CTN	G.W KG	N.W KG
D14	1300	26	23	6	500	13.5	12.5
D15	1300	28.3	23.8	6.35	500	13	12
D18	2200	52.5	43	9	200	19	18
D18A	3600	52	48	10	200	25	24

Ring

O ring

Item No.	B/S KG	A mm	B mm	Q'ty PCS/CTN	G.W KG	N.W KG
SYDR3A	4000	76	9.5	150	22	21
SYDR2A	2250	44.4	7.2	500	26	25
SYDR2B	4500	50	10	200	23	22

QLR-001

▶ Eye ring

QLR-002

▶ Eye ring

QLR-003

▶ Eye ring

QLR-004

▶ Eye ring

QLR-005

▶ O ring

QLR-006

▶ D ring

QLR-007

▶ D ring

QLR-008

▶ D ring

QLR-009

▶ D ring

QLR-010

▶ Snap hook carabiner

QLR-011

▶ Carabiner w/screw nut

QLR-012

▶ Snap hook w/eyelet





PRODUCT SET SERIES

Set Product



QL Set-001

- ▶ Strap: 25mm, Black
- ▶ Durable Polyester Webbing
- ▶ Ratchet Tie Down 1 pcs Pack
- ▶ Lashing capacity LC 800 daN in strapping



QL Set-002

- ▶ Strap: 25mm, Blue
- ▶ Durable Polyester Webbing
- ▶ Ratchet Tie Down 1 pcs Pack
- ▶ Lashing capacity LC 800 daN in strapping



QL Set-003

- ▶ Strap: 25mm, Yellow
- ▶ Durable Polyester Webbing
- ▶ Ratchet Tie Down 1 pcs Pack
- ▶ Lashing capacity LC 700 daN in strapping



QL Set-004

- ▶ Strap: 25mm, Blue
- ▶ Durable Polyester Webbing
- ▶ Ratchet Tie Down 1 pcs Pack
- ▶ Lashing capacity LC 800 daN in strapping



QL Set-005

- ▶ Strap: 38mm, Orange
- ▶ Durable Polyester Webbing
- ▶ Ratchet Tie Down 1 pcs Pack
- ▶ Break Strength 2000 lbs in strapping



QL Set-006

- ▶ Strap: 25mm, Blue
- ▶ Durable Polyester Webbing
- ▶ Ratchet Tie Down 1 pcs Pack
- ▶ Lashing capacity LC 800 daN in strapping



QL Set-007

- ▶ Strap: 25mm, Blue
- ▶ Durable Polyester Webbing
- ▶ Ratchet Tie Down 1 pcs Pack
- ▶ Lashing capacity LC 800 daN in strapping



QL Set-008

- ▶ Strap: 25mm, Yellow
- ▶ Durable Polyester Webbing
- ▶ Ratchet Tie Down 2 pcs Pack
- ▶ Lashing capacity LC 800 daN in strapping



QL Set-009

- ▶ Strap: 25mm, Black
- ▶ Durable Polyester Webbing
- ▶ Ratchet Tie Down 2 pcs Pack
- ▶ Lashing capacity LC 700 daN in strapping



QL Set-010

- ▶ Strap: 25mm, Orange
- ▶ Durable Polyester Webbing
- ▶ Ratchet Tie Down 2 pcs Pack
- ▶ Lashing capacity LC 800 daN in strapping



► **Set Product**



QL Set-011

- ▶ Strap: 25mm,Black
- ▶ Durable Polyester Webbing
- ▶ Ratchet Tie Down 2 pcs Pack
- ▶ Lashing capacity LC 800 daN in strapping



QL Set-012

- ▶ Strap: 38mm,Blue
- ▶ Durable Polyester Webbing
- ▶ Ratchet Tie Down 2 pcs Pack
- ▶ Lashing capacity LC 550 daN in strapping



QL Set-013

- ▶ Strap: 25mm,Dark gray
- ▶ Durable Polyester Webbing
- ▶ Ratchet Tie Down 4 pcs Pack
- ▶ Lashing capacity LC 800 daN in strapping



QL Set-014

- ▶ Strap: 25mm,Yellow
- ▶ Durable Polyester Webbing
- ▶ Ratchet Tie Down 4 pcs Pack
- ▶ Lashing capacity LC 800 daN in strapping



QL Set-015

- ▶ Strap: 25mm,Orange
- ▶ Durable Polyester Webbing
- ▶ Ratchet Tie Down 4 pcs Pack
- ▶ Lashing capacity LC 800 daN in strapping



QL Set-016

- ▶ Strap: 25mm Yellow
- ▶ Durable Polyester Webbing
- ▶ Ratchet Tie Down 4 pcs Pack
- ▶ Lashing capacity LC 800 daN in strapping



QL Set-017

- ▶ Strap: 25mm,Blue
- ▶ Durable Polyester Webbing
- ▶ Ratchet Tie Down 4 pcs Pack
- ▶ Lashing capacity LC 800 daN in strapping



QL Set-018

- ▶ Strap: 25mm,Orange
- ▶ Durable Polyester Webbing
- ▶ Ratchet Tie Down 4 pcs Pack
- ▶ Lashing capacity LC 800 daN in strapping



QL Set-019

- ▶ Strap: 25mm,Black
- ▶ Durable Polyester Webbing
- ▶ Ratchet Tie Down 8 pcs Pack



QL Set-020

- ▶ Strap: 25mm,Black
- ▶ Durable Polyester Webbing
- ▶ Ratchet Tie Down 4 pcs Pack
- ▶ Lashing capacity LC 800 daN in strapping



ENCLOSED TRAILER





E-TRACK SYSTEMS & ATTACHMENT

Track Fittings

QL028

▶ Width: 25mm
B/S: 1000KG
1000PCS/CTN,G.W/N.W:9KG/8KG

QL013

▶ Width: 25mm
B/S: 1100KG
500PCS/CTN,G.W/N.W:16KG/15KG

QL023

▶ Width: 50mm
B/S: 2200KG
300PCS/CTN,G.W/N.W:20.5KG/19.5KG

QL024

▶ Width: 50mm
B/S: 3000KG
300PCS/CTN,G.W/N.W:16KG/15KG

QL019

▶ Width: 45mm
B/S: 800KG
400PCS/CTN,G.W/N.W:17KG/16KG

QLF1017

▶ Series E/A spring fitting
B/S: 2000KG
300PCS/CTN,G.W/N.W:29KG/28KG

QL1010

▶ Series E/A 3-piece fitting
B/S: 1350KG
300PCS/CTN,G.W/N.W:16KG/15KG

QL092

▶ Series F track hook
B/S: 1000KG
200PCS/CTN,G.W/N.W:17KG/16KG

QL018A

▶ Series F butterfly track fitting
B/S: 900KG
800PCS/CTN,G.W/N.W:25KG/24KG

QL01

▶ Double stud fitting
B/S: 2700KG
250PCS/CTN,G.W/N.W:23.5KG/22.5KG

▶ **Track Fittings**

QL02

▶ B/S: 3000KG
200PCS/CTN,G.W/N.W:31KG/20KG

QL03

▶ Double stud fitting
B/S: 2700KG
220PCS/CTN,G.W/N.W:28.5KG/27.5KG

QL01-0

▶ Double stud fitting W/O ring
B/S: 2700KG
200PCS/CTN,G.W/N.W:28KG/27KG

QL01-P

▶ Double stud fitting W/pear ring
B/S: 2700KG
200PCS/CTN,G.W/N.W:24.5KG/23.5KG

QL03-P

▶ Double stud fitting W/pear ring
B/S: 2700KG
150PCS/CTN,G.W/N.W:26.5KG/25.5KG

QL08

▶ Series E/A fitting W/O ring
B/S: 2700KG
100PCS/CTN,G.W/N.W:20KG/19KG

QL07

▶ Single stud fitting W/O ring
B/S: 1500KG
500PCS/CTN,G.W/N.W:24.5KG/23.5KG

QL07C

▶ Stud Fitting Single,
Aluminum With Round Ring.
200PCS/CTN,G.W/N.W:10KG/9KG



QL1018B

▶ Series E/A fitting W/O ring
B/S: 1850KG
100PCS/CTN,G.W/N.W:15.5KG/15KG

QL1018A

▶ Series E/A fitting W/Triangle ring
B/S: 1850KG
100PCS/CTN,G.W/N.W:15.5KG/15KG

▶ Track Fittings

<p>QLTF-001</p>  <p>▶ Tool holder for E track</p>	<p>QLTF-002</p>  <p>▶ Series E/A fitting W/O ring B/S: 900KG</p>	<p>QLTF-003</p>  <p>▶ E track J Hook Fitting</p>	<p>QLTF-004</p>  <p>▶ E track J Hook Fitting</p>
<p>QLTF-005</p>  <p>▶ E track J Hook Fitting</p>	<p>QLTF-006</p>  <p>▶ Series E/A spring fitting B/S: 2000KG</p>	<p>QLTF-007</p>  <p>▶ Series E/A spring fitting B/S: 2200KG</p>	<p>QLTF-008</p>  <p>▶ Series E/A spring fitting B/S: 2000KG</p>
<p>QLTF-009</p>  <p>▶ D ring</p>	<p>QLTF-010</p>  <p>▶ Bolt plate</p>	<p>QLTF-011</p>  <p>▶ Lashing strap slide buckle</p>	<p>QLTF-012</p>  <p>▶ Action spring buckle strap</p>
<p>QLTF-013</p>  <p>▶ E Track spare tire holder mount</p>	<p>QLTF-014</p>  <p>▶ Wood end socket for E track</p>	<p>QLTF-015</p>  <p>▶ Single stud fitting W/D ring</p>	<p>QLTF-016</p>  <p>▶ Single stud fitting W/O ring</p>



▶ **Recessed Pan Fitting**

QL08

▶ B/S: 700KG
150PCS/CTN,G.W/N.W:13.5KG/12.5KG

QL11

▶ B/S: 550KG
200PCS/CTN,G.W/N.W:27KG/26KG

QL10

▶ B/S: 2250KG
40PCS/CTN,G.W/N.W:21KG/20KG

QL06

▶ B/S: 2500KG
50PCS/CTN,G.W/N.W:33.5KG/32.5KG

QL01

▶ B/S: 6000KG
30PCS/CTN,G.W/N.W:25.5KG/24.5KG

QL05

▶ B/S: 2500KG
50PCS/CTN,G.W/N.W:29.5KG/28.5KG

QL03

▶ B/S: 6000KG
30PCS/CTN,G.W/N.W:23.5KG/22.5KG

QL09

▶ B/S: 2500KG
30PCS/CTN,G.W/N.W:28KG/27KG

QL36A

▶ Chrome Toggle Anchor Point,Bulk
8PCS/CTN,G.W/N.W:2.0KG/1.5KG

QL07

▶ B/S: 5000KG
50PCS/CTN,G.W/N.W:31KG/30KG

Cargo Restraint Track

ETH

ETV

ETM

ETL

ETD-2

ETD-1

ETL-C

ETL-E

QL258

▶ Airline-lashing Point, aluminium
500pcs/ctn, G.W/N.W: 11.5kg/11kg



Series E Beams

QLE100T

Steel Tube Series E Beam
Adjustable Range:91.5" to 102.5"

Decking/Vertical W.L.L.:1500lbs/680kgs
Shoring/Horizontal W.L.L.:1500lbs/680kgs
60pcs/pallet,G.W/N.W:960kgs/940kgs,26cuft



QLE100L

Aluminum Tube Series E Beam
Adjustable Range:85.5" to 96.5"

Decking/Vertical W.L.L.:2200lbs/1000kgs
Shoring/Horizontal W.L.L.:2200lbs/1000kgs
10 0pcs/pallet,G.W/N.W:830kgs/790kgs,42cuft



QLE100LH

Heavy Duty Aluminum Tube Series E Beam
Adjustable Range:83.7" to 94.7"

Decking/Vertical W.L.L.:3000lbs/1360kgs
Shoring/Horizontal W.L.L.:2500lbs/1130kgs
100pcs/pallet,G.W/N.W:1200kgs/1160kgs,42cuft



Item No.	Steel Plate Thickness,mm	Length mm	Q'ty pcs/ctn	G.W kgs	N.W kgs	Volume cuft
SYE-1	3	314.5	14	25.5	24.5	0.73
SYE-2	3.5	314.5	14	27	26	0.73
SYE-3	4	314.5	14	29	28	0.73
SYE-7	3	457.2	10	25.5	24.5	0.73

E BEAM END



SYE-G



▶ Locking Beam End
10pcs/ctn,G.W/N.W:27.5kgs/26.5kgs, 0.7cuft

SYE-PIN



▶ Attaching Pin
500pcs/ctn,G.W/N.W:30kgs/29kgs, 0.3cuft

SYE-CL



▶ Insert Tube
10pcs/ctn,G.W/N.W:16kg/15kg

Series F Bars

QLF100

Steel Round Series F Bar
 Adjustable Range:96" to 111"
 W.L.L.:500lbs/227kgs, Tube Diameter:1.66"
 100pes/pallet, G.W/N.W:940kgs/920kgs, 14.5cuft



QLF101

Steel Square Series F Bar
 Adjustable Range:96" to 111"
 W.L.L.:1000lbs/454kgs, Tube Diameter:2"
 80pes/pallet, G.W/N.W:1020kgs/1000kgs, 17.5cuft



QLF200D

F Track Shoring Bar W/handles 24mm Ends 2172mm-2631mm
 100pcs/pallet, G.W/N.W:685kg/675kg



Wood Beam Socket

Item No.	B/S lbs	A (mm)	B (mm)	C (mm)	D (mm)	Q'ty pcs/ctn	G.W kgs	N.W kgs
SYS-1	1400	110	84.4	48.9	12	40	19	18
SYS-2	1400	110	84.4	48.9	12	40	18.5	17.5
SYS-3	1400	110	84.4	96.5	12	40	24	23



Force

orce



FLATBED TRAILER

CHAIN



CHAIN BINDER

Chain Anchor



Item No.	Part No	Chain	Accessories Forged Hook	Connecting Ring	Working Length (mm)	B/S (KG)	Surface Treatment	Net Weight (kg)	Gross Weight (kg)	Package
83001	CA12-2	27X12.6X8	3/8	50.5	290	4690	Dichromate plated	21.2	22.2	25
83031	CA18B-2	24X11X8	3/8	53	800	4690	Dichromate plated	22.8	23.8	15



Item No.	Part No	Chain	Accessories Forged Hook	Connecting Ring	Working Length (mm)	B/S (KG)	Surface Treatment	Net Weight (kg)	Gross Weight (kg)	Package
83009	CA18	27X12.6X8	3/8	Elliptical ring	468	7500	Dichromate plated	18.9	19.9	/



Item No.	Part No	Chain	Accessories Forged Hook	Connecting Ring	Working Length (mm)	B/S (KG)	Surface Treatment	Net Weight (kg)	Gross Weight (kg)	Package
83010	CA18-1	30X13X10	3/8	75	450	7350	Dichromate plated	21.7	22.7	/
83013	CA18-3	30X13X10	3/8	105	2640	7350	Dichromate plated	26.2	27.2	/
83014	CA18-4	30X13X10	3/8	105	457	7440	Dichromate plated	18	19	/
83015	CA18-5	38X18X11	3/8	79	168	7350	Dichromate plated	16.3	17.3	/
83016	CA18-6	38X18X11	3/8	110	155	7350	Dichromate plated	23.2	24.2	/



Item No.	Part No	Accessories Forged Hook	Connecting Ring	Working Length (mm)	B/S (KG)	Surface Treatment	Net Weight (kg)	Gross Weight (kg)	Package
83017	CA19	9.5	66 62 12	130	7500	Dichromate plated	17	18	30
83017	CA19-5	16	61 58 11	157	5440	Dichromate plated	20.4	21.4	50
83017	CA19-6	16	55 31 10	155	5440	Dichromate plated	17.5	18.5	50

G70
3/8"

3/8"X20' G70 TRANSPORT CHAIN WITH CLEVIS GRAB HOOKS

G70
3/8"

3/8"X16' G70 TRANSPORT CHAIN WITH CLEVIS GRAB HOOKS

G70
1/2"

1/2"X20' G70 TRANSPORT CHAIN WITH CLEVIS GRAB HOOKS

G70
5/16"

5/16"X20' G70 TRANSPORT CHAIN WITH CLEVIS GRAB HOOKS

G70
3/8"

3/8"X25' G70 TRANSPORT CHAIN WITH CLEVIS GRAB HOOKS






Chain Anchor






 <p>G70 5/16"</p> <p>5/16"X16' G70 TRANSPORT CHAIN WITH CLEVIS GRAB HOOKS</p>	 <p>G70 1/2"</p> <p>1/2"X25' G70 TRANSPORT CHAIN WITH CLEVIS GRAB HOOKS</p>	 <p>G80 3/8"</p> <p>3/8"X10' G80 TIE DOWN CHAIN WITH CLEVIS GRAB HOOKS</p>	 <p>G80 5/8"</p> <p>5/8"X10' G80 TIE DOWN CHAIN WITH CLEVIS GRAB HOOKS</p>	 <p>G80 3/8"</p> <p>3/8"X20' G80 TIE DOWN CHAIN WITH CLEVIS GRAB HOOKS</p>
---	---	---	--	--

 <p>G100 1/2"</p> <p>1/2"X10' G100 TIE DOWN CHAIN WITH CLEVIS GRAB HOOKS</p>	 <p>G100 3/8"</p> <p>3/8"X16' G100 TIE DOWN CHAIN WITH CLEVIS GRAB HOOKS</p>	 <p>G100 3/8"</p> <p>3/8"X10' G100 TIE DOWN CHAIN WITH CLEVIS GRAB HOOKS</p>	 <p>G70 3/8"</p> <p>3/8"X16' G70 TRANSPORT CHAIN AND BINDER KIT</p>	 <p>G70 3/8"</p> <p>3/8"X20' G70 TRANSPORT CHAIN AND BINDER KIT</p>
---	---	--	--	--

 <p>G70 5/16"</p> <p>5/16"X20' G70 TRANSPORT CHAIN AND BINDER KIT</p>	 <p>G70 1/2"</p> <p>1/2"X20' G70 TRANSPORT CHAIN AND BINDER KIT</p>
---	---



 <p>3/8"</p> <p>3/8"CHAIN BINDER</p>	 <p>5/16"</p> <p>5/16"CHAIN BINDER</p>	 <p>1/2"</p> <p>1/2"CHAIN BINDER</p>	 <p>3/8"</p> <p>3/8"CHAIN BINDER</p>	 <p>5/16" 3/8"</p> <p>5/16"-3/8" HEAVY DUTY CHAIN BINDER</p>
--	--	---	--	---

 <p>5/16" 3/8"</p> <p>5/16"-3/8" RECOIL-LESS CAM ACTION LEVER BINDER /SNAP BINDER</p>	 <p>1/4"</p> <p>1/4"LEVER BINDER / SNAP BINDER</p>	 <p>5/16"</p> <p>5/16"LEVER BINDER / SNAP BINDER</p>	 <p>3/8"</p> <p>3/8"LEVER BINDER / SNAP BINDER</p>	 <p>RATCHET BINDER</p>
--	--	---	--	---

▶ Flatbed Trailer Series



QL FTS-001

- ▶ Product Name: Steel Coil Edge Protector
- ▶ Material: Steel, Rubber
- ▶ Height: 3-5/16" Width: 3-3/8" Length: 24"
- ▶ Feature: Protecting Larger Coils



QL FTS-002

- ▶ Product Name: Hand Puller
- ▶ Steel cable: 6" or 12"
- ▶ Cable: Diameter 4.5mm&2.2m
- ▶ Usage: Vehicle Rescue, Construction, Farm



QL FTS-003

- ▶ Product Name: Carf/Trailer Jack
- ▶ Maximum Height: 22.5"
- ▶ Surface Treatment: Powder and Galvanize
- ▶ Mounting type: Bolt On



QL FTS-004

- ▶ Product Name: Trailer Stake Pocket Winch
- ▶ Width: 7.9" Length: 10.7"
- ▶ Webbing Size: 4 inch
- ▶ Usage: Flatbed Trailer Trucks



QL FTS-005

- ▶ Product Name: 5/8" Trailer Stake Pocket D Ring
- ▶ Color: Black
- ▶ Material: Steel
- ▶ Vehicle Service Type: Truck



QL FTS-006

- ▶ Product Name: Banner Mounting Bracket
- ▶ Width: 3.35" Length: 30.94"
- ▶ Material: Carbon Steel
- ▶ Compatibility: Most Trailer Pockets



QL FTS-007

- ▶ Product Name: Combination Winch Bar
- ▶ Length: 42.58" Diameter: 1.3"
- ▶ Features: Ergonomic Length
- ▶ Color: Multiple Color Options Available



QL FTS-008

- ▶ Product Name: Adjustable C Channel Stakes
- ▶ Length: 30" or 54"
- ▶ Material: Steel
- ▶ Vehicle Service Type: Flatbed Truck



QL FTS-009

- ▶ Product Name: Coil Rack
- ▶ Width: 4" Length: 33"/36"/40"
- ▶ Material: Steel
- ▶ Parts: Trailer Accessories



QL FTS-010

- ▶ Product Name: Moving Blankets
- ▶ Width: 72" Length: 80"
- ▶ Fabric: Cotton & Polyester
- ▶ Purpose: Moving, Painting, Traveling, camping



QL FTS-011

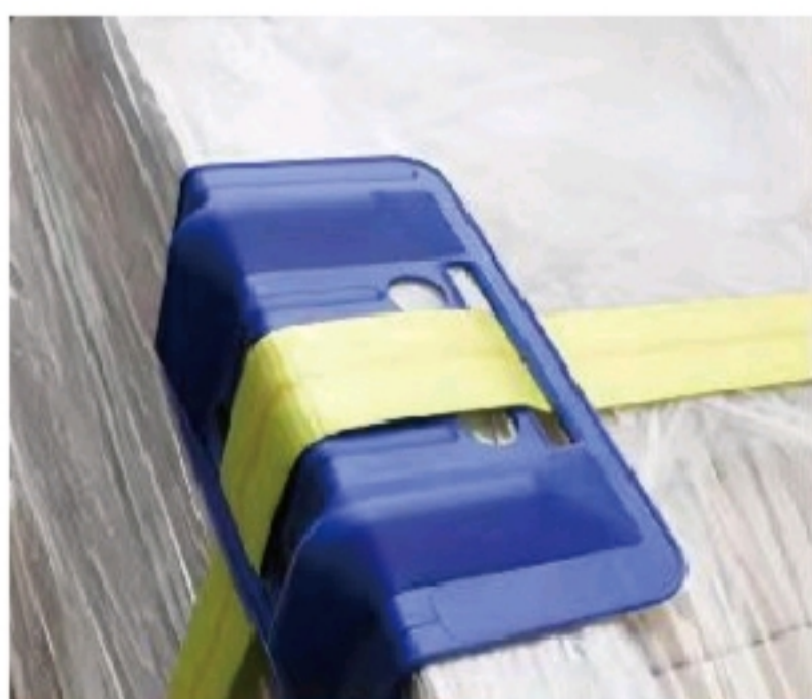
- ▶ Product Name: Tire Skates for Tow Truck
- ▶ Size: 15.5"(L) X 3.2(W) X 3.7"(H)
- ▶ Material: Plastic
- ▶ Usage: Tire stopper for cars





CORNER PROTECTOR

▶ **Corner Protector**





TRUCK WINCH

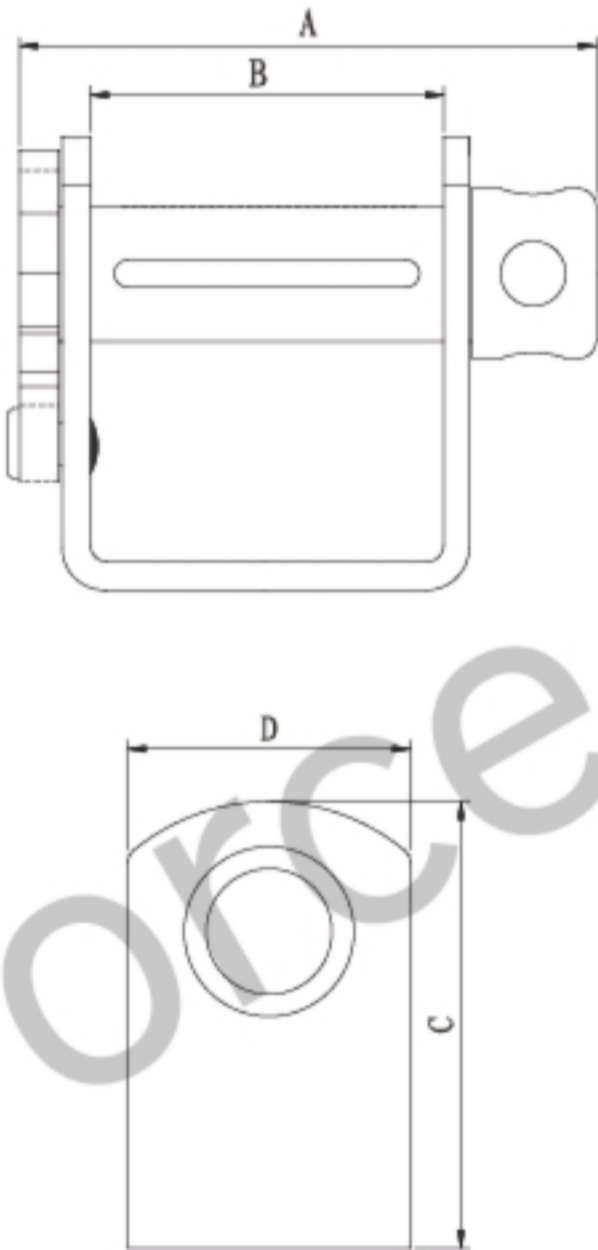
▶ **Truck Winch**

TW419 	TW419D 	TW419N 	TW420 	TW434 
TW434N 	TW401 	TW410 	TW412 	TW414 
TW415 	TW416 	TW421 	TW421H 	TW422 
TW428 	TW432 	TW433 	TW445 	TW426 
TW427 	TW435-1 	TW410Z 	TW412 	TW452 

Lashing Winch



Item No.	A (mm)	B (mm)	C (mm)	D (mm)	Q'ty pcs/ctn	G.W kgs	N.W kgs
TW410	204	124	140	90	5	20.5	19.5
TW401	204	124	158	90	5	22	21
TW411	204	124	140	90	5	21.5	20.5
TW402	204	124	158	90	5	24.5	23.5
TW41860	206	124	140	90	5	22.5	21.5
TW419	204	124	175	100	5	24.3	23.3
TW420	204	124	190	100	5	26.5	25.5
TW41820	273	195	155	100	5	28.5	27.5
TW449	265	165	155	100	5	32	31
TW450	309	165	155	100	5	34	33
TW452	257	180	155	100	4	27	26
TW451	175	76	150	100	5	21	20
TW415	230	60	200	70	5	17.5	16.5
TW41890	225	84	225	100	5	28	27
TW200	125	53	102	75	20	32	31
TW200A	149.5	53	102	75	20	35	34
TW201	132	53	102	75	20	33	32
TW201A	128	53	102	75	20	28	27
TW202	125	53	102	75	20	32	31
TW202B	125	53	114.3	75	20	32.5	31.5
W5-1	160	58	100	60	20	27	26
CW5B-2S	174	63	100	60	20	37	36
CW5-1S	160	58	140	60	20	39	38
CW5-2S	125	58	100	70	12	26.2	25.2





FLAT TARPS

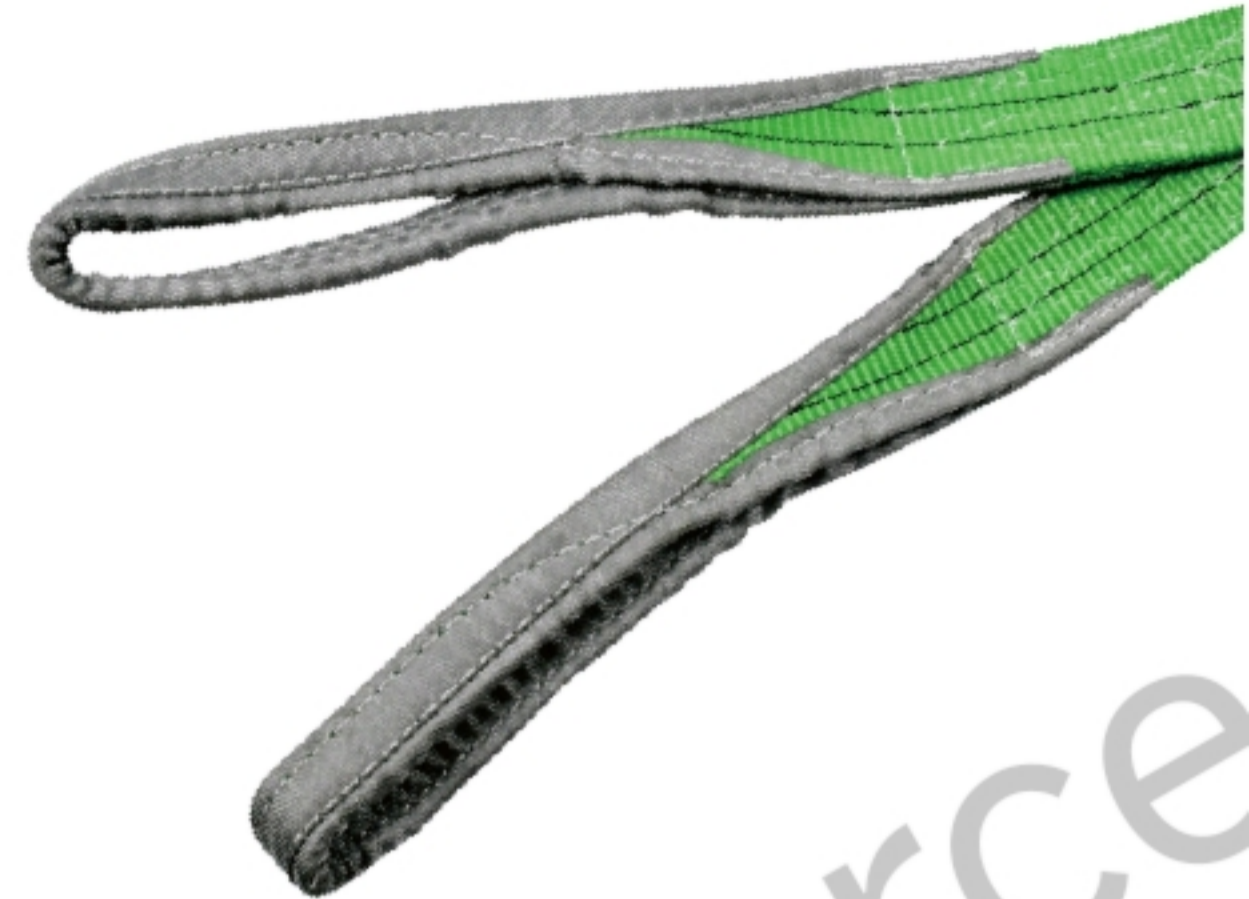
Flat Tarps

 <p>18oz</p> <p>16'X28'(4'DROP & FLAP)</p>	 <p>18oz</p> <p>20'X18'(6'DROP & FLAP)</p>	 <p>18oz</p> <p>20'X18'(6'DROP & FLAP)</p>	 <p>18oz</p> <p>24'X18'(8'DROP & FLAP)</p>	 <p>14oz</p> <p>16'X28'(4'DROP & FLAP)</p>
 <p>14oz</p> <p>20'X20'(6'DROP & FLAP)</p>	 <p>14oz</p> <p>20'X28'(6'DROP & FLAP)</p>	 <p>14oz</p> <p>24'X20'(8'DROP & FLAP)</p>	 <p>14/18oz</p> <p>20'X28'(6'DROP & FLAP)</p>	 <p>14/18oz</p> <p>24'X28'(8'DROP & FLAP)</p>
 <p>6/18oz</p> <p>25'X27'(8'DROP & FLAP)</p>	 <p>6/18oz</p> <p>20'X27'(6'DROP & FLAP)</p>	 <p>14oz</p> <p>24'X18'(6'DROP); MID:24'X18'</p>	 <p>14oz</p> <p>24'X20'(8'DROP); MID:24'X18'</p>	 <p>18oz</p> <p>20'X18'(6'DROP)</p>
 <p>18oz</p> <p>24'X18'(8'DROP)</p>	 <p>18oz</p> <p>20'X18'(6'DROP)</p>	 <p>18oz</p> <p>24'X18'(6'DROP)</p>	 <p>14oz</p> <p>16'X27'(4'DROP)</p>	 <p>14oz</p> <p>20'X16'(6'DROP)</p>
 <p>18oz</p> <p>16'X27'(4'DROP-4-SIDED)</p>	 <p>18oz</p> <p>16'X28'(6'DROP & FLAP)</p>	 <p>14/18oz</p> <p>24'X28'(8'DROP & FLAP)</p>	 <p>18oz</p> <p>6'X6'X6'</p>	 <p>18oz</p> <p>7'X7'X7'</p>



FLAT WEBBING SLING

FLAT WEBBING SLING



Specification:

RE-useable webbing slings manufactured in accordance with BS 3481 Pt.2 1983 F:S 7:1(re-useable), DIN-EN 1492-1 and the essential requirements of the European Machinery Directive.

Color coded and stripped for WLL(working load limit) identification. Manufactured from 100% high tenacity continuous filament polyester fibre. All webbing slings are individually numbered and are fully traceable. Every single webbing sling is labeled and certificated in accordance with the relevant standard together with information about safety use and maintenance.

Available:





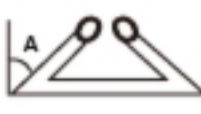



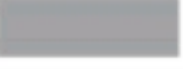




Simplex, duplex & quadruplex ply standard slings, single and double endless slings, twin sling etc. In standard and long length up to 300mm width. With flat or becket (folded) eyes with or without re-inforcement. Label printed with customer logo on request.



Eye Types for Web sling

	Option 1: Flat eye
	Option 2: Reversed eye
	Option 3: Folded eye 1/2 width from 1 side
	Option 4: Folded eye 1/2 width from 2 sides
	Option 5: Folded eye 1/3 width

EUROPEAN STANDARD PARAMETER:

Color according to EN-1492-1	Width in mm (SF 7:1)	Working Load Limit (WLL in kgs)				
		Vertical	Choker	Basket Lifting		
				A=0-7°	A=7-45°	A=45-60°
						
		M=1.0	M=0.8	M=2.0	M=1.4	M=1.0
 Purple (4005)	30	1000	800	2000	1400	1000
 Green (6018)	60	2000	1600	4000	2800	2000
 Yellow (1018)	90	3000	2400	6000	4200	3000
 Gray (7001)	120	4000	3200	8000	5600	4000
 Red (3020)	150	5000	4000	10000	7000	5000
 Brown (8003)	180	6000	4800	12000	8400	6000
 Blue (5015)	240	8000	6400	16000	11200	8000
 Orange (2008)	300	10000	8000	20000	14000	10000



AMERICAN-STANDARD PARAMETER:

ASME Standard Eye-eye Flat Webbing Sling

PLY	Item No.	Width (inch)	Color	Rated Capacity (LBS)			Eye Length (inch)
				Vertical	Choker	Basket	
One Play	FS-A5SEE1600LBS	1"	Yellow	1600	1280	3200	10
	FS-A5SEE3200LBS	2"	Yellow	3200	2500	6400	12
	FS-A5SEE3800LBS	3"	Yellow	4800	3800	9600	14
	FS-A5SEE5000LBS	4"	Yellow	6400	5000	12800	14
	FS-A5SEE9600LBS	6"	Yellow	9600	7700	19200	16
	FS-A5SEE12800LBS	8"	Yellow	12800	10200	25600	20
	FS-A5SEE16000LBS	10"	Yellow	16000	12800	32000	24
	FS-A5SEE19200LBS	12"	Yellow	19200	15400	38400	24
Two Play	FS-A5DEE3200LBS	1"	Yellow	3200	2500	6200	10
	FS-A5DEE6400LBS	2"	Yellow	6400	5000	12400	12
	FS-A5DEE8800LBS	3"	Yellow	8800	7040	17600	14
	FS-A5DEE12000LBS	4"	Yellow	12000	9600	24000	14
	FS-A5DEE16500LBS	6"	Yellow	16500	13200	33000	16
	FS-A5DEE19200LBS	8"	Yellow	19200	15400	38400	20
	FS-A5DEE17900LBS	10"	Yellow	22400	17900	44800	24
	FS-A5DEE21500LBS	12"	Yellow	26900	21500	53800	24

ROUND SLING



ROUND SLING

Specification:

Manufactured in accordance with BS 6668 Pt.2 1987, DIN-EN 1492-2 and essential requirements of European Machinery Directive. The load bearing core of a round sling is manufactured from 100% high tenacity continuous filament polyester fibre which is protected by an abrasion resistance tubular polyester webbing cover.



Color coded and striped for WLL(Working Load Limit) identification. All round slings are individually numbered and are fully traceable. Every single round sling is labeled and certificated in accordance with relevant standard together with information about safety use and maintenance.

Available:

In lengths up to 18 meter working(36m circumference). Capacity up to 20 ton WLL(Working Load Limit) per sling. Label printed with customer logo on request.



EUROPEAN STANDARD PARAMETER:

According to EN1492-2:2000 (SF=7:1)

Stock.No Color	WLL	SWL WLL (T) M CC					Double Multi-set SWL (T)			
				0-7°	7-45°	45-60°	<45°	<45°	45-60°	45-60°
		1	0.8	2	1.4	1	1.4	1.12	1	0.8
E7RS010	WLL 1T	1000	800	2000	1400	1000	2800	1120	1000	800
E7RS020	WLL 2T	2000	1600	4000	2800	2000	5600	2240	2000	1600
E7RS030	WLL 3T	3000	2400	6000	4200	3000	8400	3360	3000	2400
E7RS040	WLL 4T	4000	3200	8000	5600	4000	11200	4480	4000	3200
E7RS050	WLL 5T	5000	4000	10000	7000	5000	14000	5600	5000	4000
E7RS060	WLL 6T	6000	4800	12000	8400	6000	16800	6720	6000	4800
E7RS080	WLL 8T	8000	6400	16000	11200	8000	22400	8960	8000	6400
E7RS100	WLL 10T	10000	8000	20000	14000	10000	28000	11200	10000	8000
E7RS120	WLL 12T	12000	9600	24000	16800	12000	33600	13440	12000	9600



AMERICAN-STANDARD PARAMETER:





ASME standard Endless Round Sling



Stock. NoColor	Item No.	SleeveWidth (mm)	Working Load Limit (LBS)				Body diameter (inch)	Min. length (FT)
			Vertical	Choker	Basket 90°	Basket 45°		
Purple	RS-A5EN2600	44-45	2600	2100	5200	3600	0.63	3
Green	RS-A5EN5300	54-55	5300	4200	10600	7400	0.88	3
Yellow	RS-A5EN8400	63-64	8400	6700	16800	11800	1.13	3
Tan	RS-A5EN12000	68-70	12000	8500	21200	14000	1.13	3
Red	RS-A5EN13200	78-80	13200	10600	26400	18000	1.38	3
Orange	RS-A5EN17000	83-85	17000	13400	33600	23000	1.38	6
Blue	RS-A5EN21200	95-98	21200	17000	42400	29000	1.75	6
Orange	RS-A5EN26000	100-105	26000	20000	50000	35000	1.87	6
Grey	RS-A5EN31000	110-115	31000	24800	62000	43000	2.25	6
Orange	RS-A5EN40000	125-130	40000	32000	80000	56000	2.5	8
Brown	RS-A5EN54000	130-135	54000	42400	106000	74000	2.75	8
Olive	RS-A5EN68000	135-140	68000	52800	132000	93000	3.13	8
Black	RS-A5EN90000	145-150	90000	72000	180000	127000	3.63	8

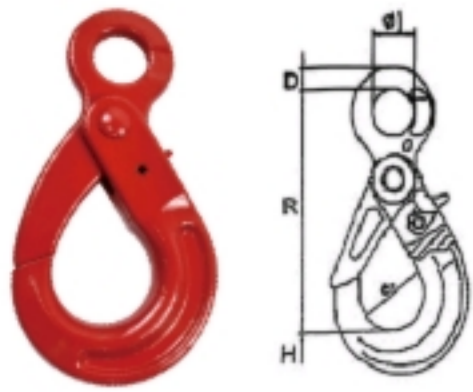
AMERICAN-STANDARD PARAMETER: ASME standard Eye to Eye Round Sling



Stock.No Color	Item No.	SleeveWidth (mm)	Working Load Limit (LBS)				Body diameter (inch)	Min. length (FT)
			 Vertical	 Choker	 Basket 90°	 Basket 45°		
Purple	RS-A5EE2600	44-45	2600	2100	5200	3600	0.63	3
Green	RS-A5EE5300	54-55	5300	4200	10600	7400	0.88	3
Yellow	RS-A5EE8400	63-64	8400	6700	16800	11800	1.13	3
Tan	RS-A5EE12000	68-70	12000	8500	21200	14000	1.13	3
Red	RS-A5EE13200	78-80	13200	10600	26400	18000	1.38	3
Orange	RS-A5EE17000	83-85	17000	13400	33600	23000	1.38	6
Blue	RS-A5EE21200	95-98	21200	17000	42400	29000	1.75	6
Orange	RS-A5EE26000	100-105	26000	20000	50000	35000	1.87	6
Grey	RS-A5EE31000	110-115	31000	24800	62000	43000	2.25	6
Orange	RS-A5EE40000	125-130	40000	32000	80000	56000	2.5	8
Brown	RS-A5EE54000	130-135	54000	42400	106000	74000	2.75	8
Olive	RS-A5EE68000	135-140	68000	52800	132000	93000	3.13	8
Black	RS-A5EE90000	145-150	90000	72000	180000	127000	3.63	8

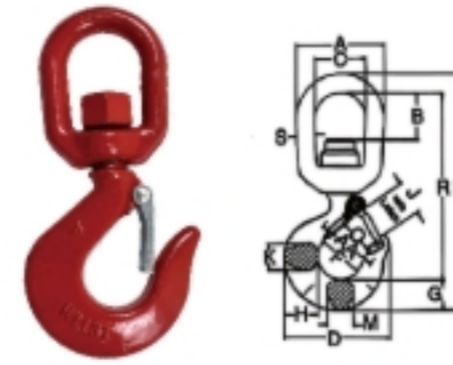


Goat Horn Hook



Eye Safety Hook

China Size		W.L.L. (t)	Weight (kg)	DIMENSIONS(mm)				
(in)	(mm)			φ1	R	H	φ2	D
/	6	1.45	0.39	19.8	100	20.1	17	7.87
1/4-5-16	7-8	2.6	0.82	27.4	135	27.9	22.1	9.91
3/8	10	4	1.54	33	167	29.7	27.9	12.9
1/2	13	6.8	2.72	41.9	209	42.4	32	17
5/8	16	10.3	6.83	55.9	256	51.8	38.1	22.1
3/4	18-20	16	8.61	66	274	56.4	51.1	22.1
7/8	22	19.4	12.7	72.9	317	62.2	57.7	24.9
1	26	27.1	22.45	80	371	81.5	62.5	32



Swivel Hook with Latch

W.L.L. (t)	DIMENSIONS(mm)															Weight (lbs)
	A	B	C	D	F	G	H	J	K	L	M	O	R	S	AA	
2	76.2	38.1	44.5	91.2	38.1	25.4	29.6	26.9	22.4	194	22.4	25.4	152	16.0	50.8	1.13
3	88.9	39.6	50.8	101	41.1	28.7	33.3	30.2	23.9	218	23.9	27.7	170	19.1	50.8	1.72
5	101	39.6	57.2	122	50.8	36.6	41.1	38.1	33.3	262	28.7	34.5	203	22.4	63.5	3.17
7	127	49.3	69.9	159	63.5	46.0	52.3	45.2	42.2	326	36.6	40.9	251	28.7	76.2	6.35
11	142	52.1	79.2	191	76.2	57.2	66.8	61.2	47.8	387	41.4	52.8	298	31.8	101	10.1
15	180	91.9	104	211	82.6	65.8	74.7	66.5	55.6	473	49.3	57.7	366	38.1	101	16.3



Swivel Safety Hook

China Size		W.L.L. (t)	Weight (kg)	DIMENSIONS(mm)					
(in)	(mm)			A	C	D	I	M	L
/	6	1.45	0.57	38.1	33.5	12.7	20.1	66	176.1
1/4-5-16	7-8	2.59	1.18	44.5	40.4	16	27.9	88.9	220.9
3/8	10	3.99	2.13	50.8	43.9	19.1	29.7	112	253.7
1/2	13	6.8	3.92	63.5	60.5	25.4	42.4	139	326.4
5/8	16	10.3	7.71	69.9	64.3	28.7	51.8	167	379.8
3/4	18-20	16	10.9	71.9	64	27.9	56.4	197	414.4
7/8	22	20	13.2	87.4	81	33	62.2	222	479.2



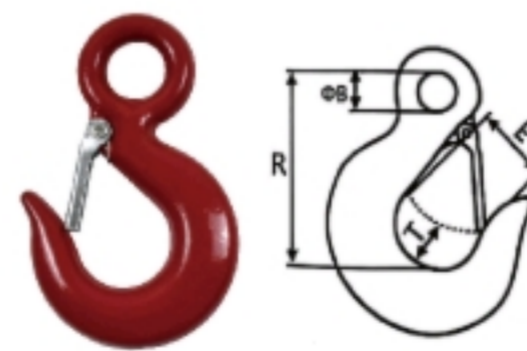
Eye Sling Hook with Latch

Size Of Chain	W.L.L. (t)	B.L. (t)	DIMENSIONS(mm)				Weight (kg/pc)
			D	E	B	L	
6-8	1.12	4.48	9	24	20	108	0.3
7/8-8	2	8	11	30	25	133	0.4
10-8	3.15	12.6	15	34	38	167	0.9
13-8	5.3	21.2	19	39	43	213	1.7
16-8	8	32	23	46	50	255	3.2
20-8	12.5	50	24	40	62	305	5.8
22-8	15	60	32	71	62	348	8.5
26-8	21.2	84.8	35	81	64	394	13
32-8	31.5	126	37	102	88	480	17



Clevis Safety Hook

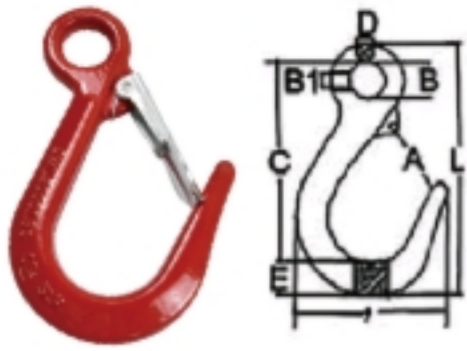
China Size		W.L.L. (t)	Weight (kg)	DIMENSIONS(mm)			
(in)	(mm)			B	φ	H	R
/	6	1.45	0.5	7.5	28	20	96
1/4-5-16	7-8	2.5	0.9	9.5	35.5	26	123
3/8	10	3.99	1.6	12	45	30	144
1/2	13	6.7	2.9	15	53.5	40.5	182
5/8	16	10	5.8	17.5	62	50.5	217
3/4	18-20	16	8.6	25	76.5	62	235
7/8	22	19	12.1	25.5	80	66	276.5



Eye Slip Hook with Latch

Size Of Chain	Working Load Limit (lbs)		DIMENSIONS(mm)			Weight (lbs)
	H-324	A-324	D	E	R	
1/4	1950	2750	0.5	0.94	2.56	0.4
5/16	2875	4300	0.63	1.06	2.95	0.7
3/8	4000	5250	0.72	1.31	3.36	1
7/16	5000	7000	0.81	1.56	3.88	1.6
1/2	6500	9000	0.94	1.69	4.28	2.4
5/8	9250	13500	1.13	2	2.22	4
3/4	12500	19250	1.38	2.13	5.8	6.5

Goat Horn Hook



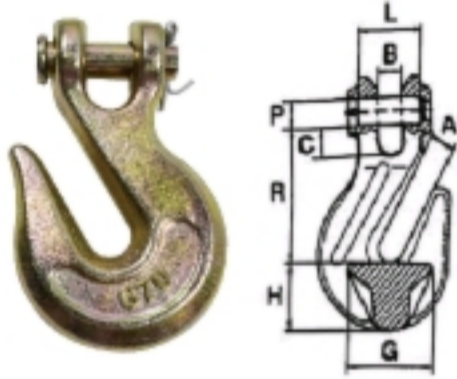
Wide Mouth Hook

Size Of Chain	Working Load Limit (lbs)	DIMENSIONS(mm)					Weight (kg/pc)
		B	F	A	L	C	
7/8	2.27	22	104	37	160.6	130	0.44
7/8	3.2	21	105	40	167.5	132	0.72



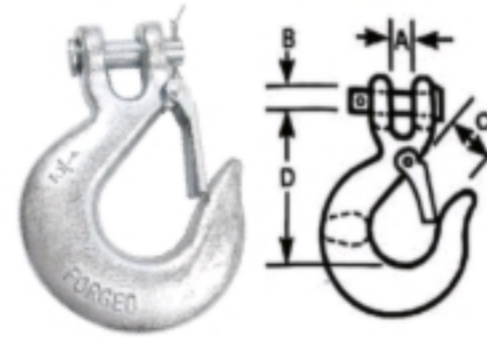
Pipe Hook

Size Of Chain	Working Load Limit (lbs)	DIMENSIONS(mm)					Weight (kg/pc)
		A	C	B	D	E	
7/8	1	76.5	140.5	21.7	15.5	17.5	0.55



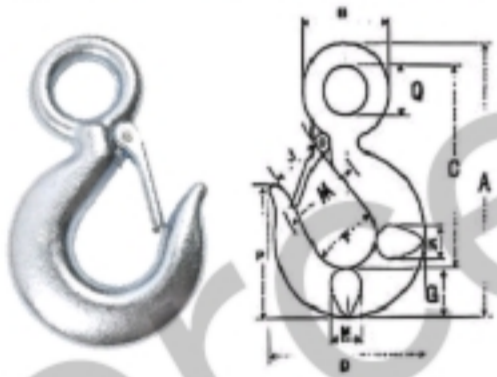
Clevis Grab Hook

Size Of Chain	Working Load Limit (lbs)		DIMENSIONS(in)				Weight (lbs)
	H-330	A-330	B	A	P	R	
/							/
1/4	2600	3600	0.36	0.4	0.38	1.97	0.4
5/16	3900	5400	0.4	0.44	0.44	2.26	0.79
3/8	5400	7500	0.48	0.5	0.56	2.63	1
7/16	7200	10000	0.66	0.56	0.63	2.75	1.5
1/2	8200	12750	0.75	0.66	0.63	3.19	2.1
5/8	12750	19000	0.91	0.78	0.75	4.09	4.2
3/4	18500	27000	0.94	0.94	0.88	4.63	6.5



Clevis Slip Hook with Latch

Size Of Chain	Working Load Limit (lbs)		DIMENSIONS(in)				Weight (lbs)
	Carbon	Alloy	A	B	C	D	
/							/
1/4	1950	2750	0.44	0.79	0.38	2.56	0.52
5/16	2875	4300	0.5	0.93	0.44	2.87	0.77
3/8	4000	5250	0.59	1.14	0.47	3.25	1.23
7/16	5000	7000	0.66	1.18	0.56	3.7	2.1
1/2	6500	9000	0.75	1.42	0.63	4	2.85
5/8	9250	13500	0.91	1.65	0.75	4.94	5.18



Eye Hook with Latch

Working Load (t)		DIMENSIONS(mm)												
S-320C	S-320A	A	B	C	D	F	G	H	J	K	M	P	Q	AA
3/4	1	112.27	37.34	84.84	72.64	31.75	18.54	20.57	23.62	16	16	50.8	19.05	38.1
1	1 1/2	128.27	44.45	96.52	80.01	35.05	21.34	23.88	24.62	18.03	18.03	56.9	23.11	50.8
1 1/2	2	145.8	54.1	107.2	90.17	38.1	25.4	29.46	26.92	22.35	22.35	62.23	28.7	50.8
2	3	165.86	61.21	122.43	100.84	41.4	28.7	33.53	30.23	23.88	23.88	71.63	31.75	50.8
3	5	204.98	76.2	150.11	123.7	50.8	36.58	41.4	38.1	33.27	33.27	89.15	39.62	63.5
5	7	258.83	96.77	189.74	159.26	63.5	45.97	52.32	45.21	42.16	42.16	114.81	50.8	76.2
7 1/2	11	318	118.36	232.66	190.5	76.2	57.15	66.8	61.21	47.15	41.4	135.13	61.98	101.6
10	15	356.87	136.65	258.83	212.6	82.55	65.79	74.68	66.55	55.63	49.28	152.4	72.14	101.6
15	22	441.45	168.4	325.63	262.64	107.95	76.2	88.9	86.61	68.33	60.45	175.26	88.9	127
20	30	494.54	177.8	357.12	345.95	127	91.95	117.35	101.6	76.2	/	223.01	88.9	165.1
25	37	630.17	215.9	462.03	357.12	136.65	115.82	127	107.95	91.95	/	289.05	114.3	177.8
30	45	696.98	236.47	511.05	392.18	152.4	128.52	139.7	120.65	94.49	/	320.8	125.48	203.2
40	60	820.67	273.05	602.49	469.9	172.8	152.4	165.1	1460.5	112.78	/	376.17	144.53	254

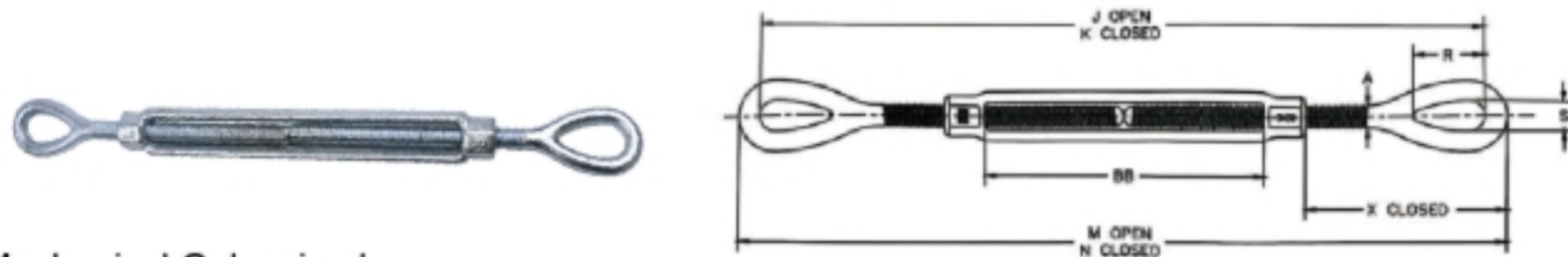
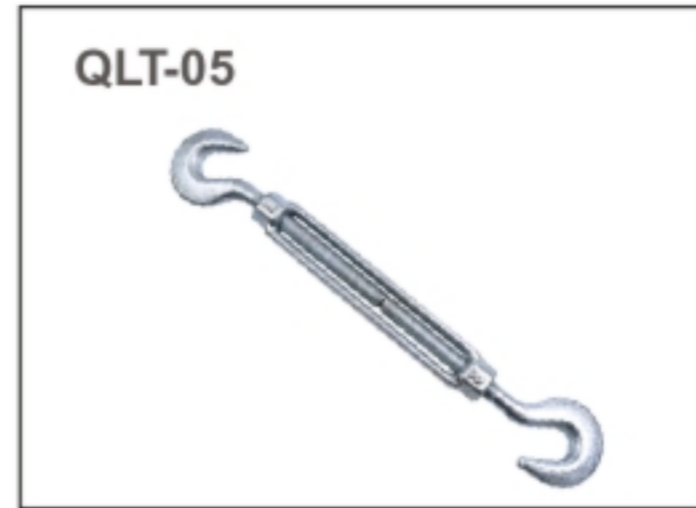
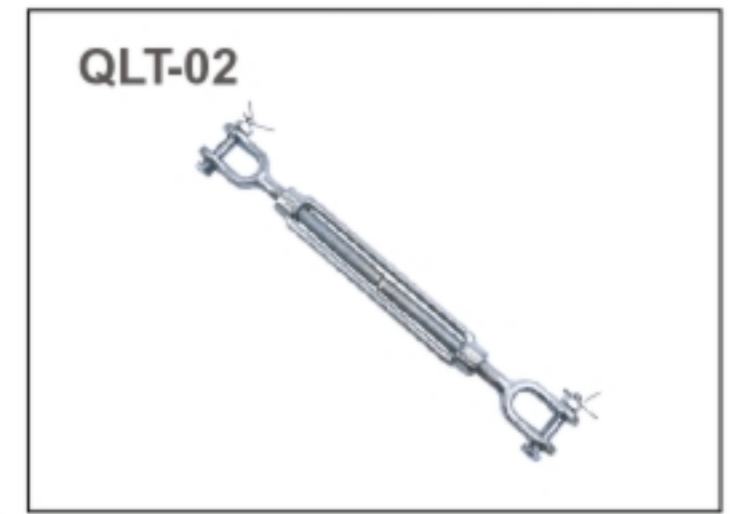
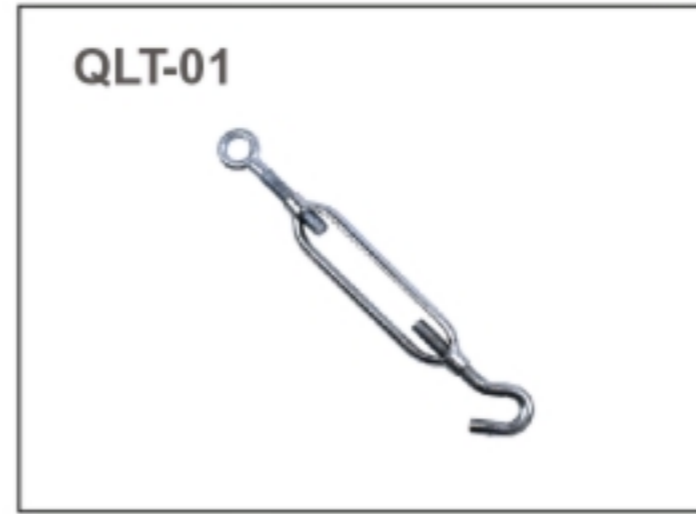


▶ Shackle

Screw pin shackles are made with threaded pins that insert through one of the shackle's ears and screws into the other ear. This screw pin mechanism secures nicely and provides a strong, durable connection for your loads. When tightened properly, the threads of the screw pin become fully engaged, keeping hold onto the shackle's ear while the shoulder contacts the shackle's body.



Turnbuckle



*Mechanical Galvanized

Thread Diameter & Take Up (mm)	W.L.L.(t)	Weight Each (kg)	DIMENSIONS(mm)								
			A	J	K	M	N	R	S	X	BB
*6.35X102	0.23	0.13	6.35	303	202	314	213	20.6	8.64	44.6	103
*7.94X114	0.36	0.22	7.94	354	239	368	253	24.1	11.2	55.8	116
*9.53X152	0.54	0.34	9.53	446	294	463	311	28.7	13.5	62.9	155
12.7X152	1.00	0.78	12.7	506	354	529	376	35.8	18.0	90.4	153
12.7X305	1.00	1.19	12.7	819	514	841	536	35.8	18.0	89.9	314
15.9X152	1.59	1.25	15.9	552	399	577	425	45.7	22.4	110	153
15.9X305	1.59	1.87	15.9	865	560	891	586	45.7	22.4	110	315
19.1X152	2.36	1.91	19.1	590	438	622	470	53.1	25.4	130	156
19.1X305	2.36	2.78	19.1	905	600	937	632	53.1	25.4	129	320
19.1X457	2.36	3.55	19.1	1210	753	1242	785	53.1	25.4	130	471
22.2X305	3.27	4.01	22.2	932	627	970	665	60.5	31.8	147	309
22.2X457	3.27	5.22	22.2	1249	792	1287	830	60.5	31.8	147	473
25.4X152	4.54	4.36	25.4	666	514	711	559	76.2	36.3	165	157
25.4X305	4.54	5.88	25.4	971	666	1016	711	76.2	36.3	165	309
25.4X457	4.54	7.40	25.4	1276	819	1321	864	76.2	36.3	165	462
25.4X610	4.54	9.14	25.4	1596	987	1641	1031	76.2	36.3	164	631
31.8X305	6.89	9.01	31.8	1070	766	1127	822	91.2	46.2	216	306
31.8X457	6.89	10.8	31.8	1375	918	1432	975	91.2	46.2	216	459
31.8X610	6.89	12.6	31.8	1694	1085	1751	1141	91.2	46.2	216	625
38.1X305	9.71	13.0	38.1	1124	819	1187	882	104	53.8	240	313
38.1X457	9.71	15.4	38.1	1428	971	1492	1035	104	53.8	240	465
38.1X610	9.71	17.9	38.1	1749	1139	1813	1203	104	53.8	240	633
44.5X457	12.7	23.0	44.5	1457	1000	1534	1076	118	60.5	253	467
44.5X610	12.7	26.4	44.5	1762	1153	1838	1229	118	60.5	253	619
51.0X610	16.8	37.9	50.8	1922	1313	2011	1402	148	68.3	331	622
63.5X610	27.2	67.4	63.5	2011	1402	2113	1503	165	79.2	350	625
70.0X610	34.0	79.1	69.9	2066	1456	2180	1571	178	82.6	383	626

▶ Lifting Spreader Beam

Crane spreader beams are simple devices for lifting operations in a broad range of industries. A spreader beam typically consists of a long bar coupled to the end of a crane, allowing the crane to lift loads from multiple locations. We design and manufacture all kind of crane spreader beams for all fields such as machining, manufacturing, steel, foundry, etc., capacities from 500 kg up to 100 t, for handling of different loads such as steel coils, steel sheets, steel ingots, steel billets etc. We can also implement manual or motorized rotation, weighing system, telescopic arms, etc. All our crane spreader beams are manufactured under the most strict safety standards.

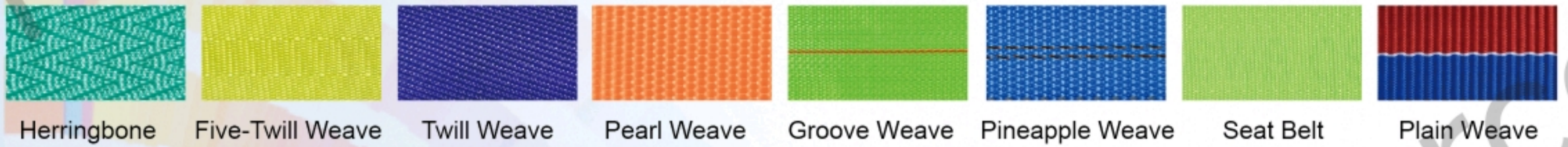


Steel Lifting beam can be used to lift and move a wide range of industrial loads. The hooks on both ends can be adjusted to any location you want. Lifting beam is a good choice when the headroom is limited and restricts the use of overhead rigging in the application. Lifting beam is usually made from a beam and a single lifting point at the top with several lift points at the bottom.



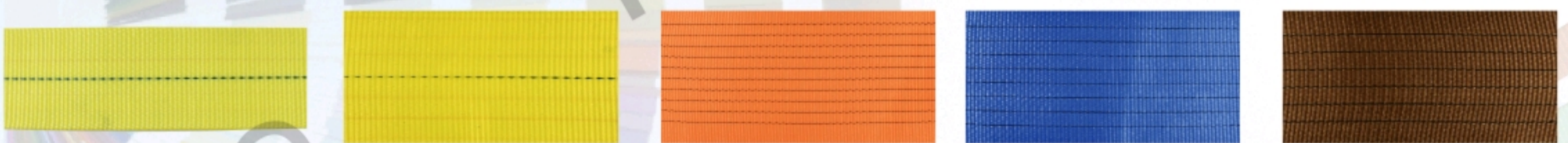
Our Polyester Webbing Strap, a high-quality semi-finished material, is designed for custom processing. Crafted by a team with 20 years of textile expertise, it uses premium polyester fibers woven with precision for uniform strength and durability. Rigorously tested for tensile strength and weather resistance, it's ideal for binding straps, slings, or industrial uses. Available in various widths and thicknesses, this webbing strap meets diverse processing needs reliably.

STRAP

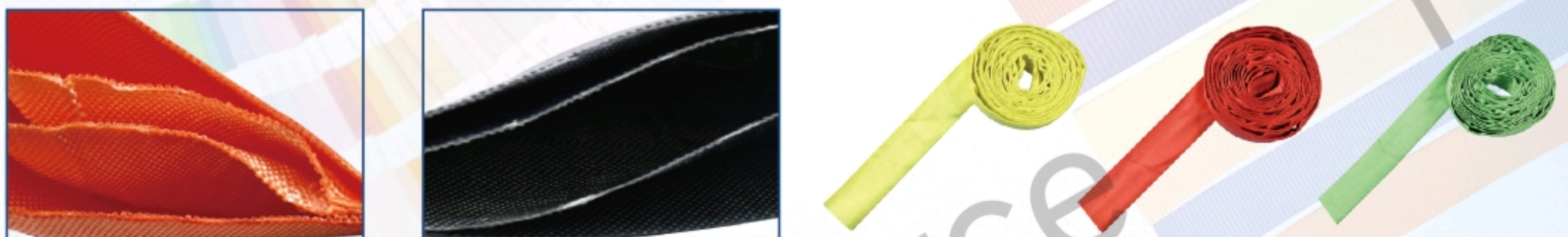


WEBBING

These heavy-duty Flat Webbing Slings meet global standards: EU (7:1 safety ratio), US (5:1), and Australia (8:1). European slings feature distinct color-coding (e.g., purple=1 ton) with black reference stripes - each stripe represents 1 ton of capacity. American standard slings are manufactured in bright yellow webbing with black edges, containing hidden blue warning threads. These critical blue threads only become visible when the sling is dangerously worn, signaling immediate retirement. Australian compliant versions offer the highest safety margins while maintaining similar visual inspection features.



SLEEVE



CORPORATE MISSION

Make employees happy man! Companies actively innovation leading the industry trend. For th social development of science and technology to create value !

VISION

Become the trustworthy enterprise

ENTERPRISE IDEA

Sincerity,professional governance industry,innovation,industrial development,Ming shing industry



FORCE 起力
S T R A P

Ratchet Strap / logistics Strap / Winch Strap / Lifting Strap / Cargo Control Accessories

Ningbo Force Auto Parts Co., Ltd.

Tel:86-18650363763

Add: No. 469, Liansheng Road, Binhai Development Zone,
Yinzhou District, Ningbo, ZheJiang Province, China.



WhatsApp